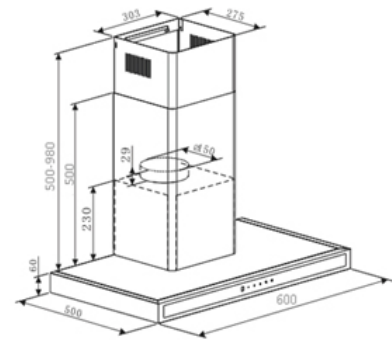




Dimension/Weight

Overall Dimensions (mm):	1040(h) x 600(w) x 500(d)
Chimney Height (mm):	500-980
Flue Diameter (mm)	150mm
Weight:	12kg



Technical Details

Style

Rangehood Type:	Square
Category Size:	60cm

Functionality

Extraction Type:	Ducted or Recirculating
Extraction Rate:	830m ³ / hr NET
Number of Motors	1
Watts of Motor:	265W
Speeds:	3
Filtration:	2x Aluminium Removable & Washable Filters
Lights:	2 x 1.5W LSD-H
dBa Rating:	52-65dBA

Installation

Maximum Current:	10amps 3 Pin Plug
Connection:	240v, 50Hz
Installation Type:	Wall mounted
Warranty:	48 Months Parts & Labour

Aesthetics

Finish:	Stainless steel and black glass
Controls	Touch Controls
Number of Controls	4
Control Location	Front Centre

Key Features



Timer

Set the timer and the rangehood will automatically turn off.



Touch Controls

Touch controls are easy to use, hygienic and look streamlined.



Stainless steel and black glass finish

Stainless steel appliances are easy to clean, more durable and have increased longevity. This appliance looks aesthetically appealing with the black glass stripe down the front. It will match perfectly with your Omega oven.

Customer Care

T: 09 415 6000
 W: omegaappliances.com.au
 W: omegaappliances.co.nz