



**omega**

Instruction Manual

Box Canopy Rangehood

---

OBC60BX, OBC90BX

# Thank you for purchasing an Omega appliance

Tailored for the modern aesthetic and lifestyle of busy people, your new Omega Appliance will make a welcome addition to the family.

Omega caters to style-savvy customers who look for balance between stunning form and clever function. This means a combination of sleek, chic, sophisticated design yet effortless functionality. And we source from the best. The best craftsmanship. The best innovation. From the best international design-houses.

All brought together under an appliance that stands for design-led balance.

Please take the time to read through the following instruction manual to familiarise yourself with the installation, operation requirements and maintenance to ensure optimum performance.

## Further Information

For important information about your Omega Appliance such as warranty registration, manuals, features, and specifications please visit [omegaappliances.com.au](http://omegaappliances.com.au) (if you are in Australia) and [omegaappliances.co.nz](http://omegaappliances.co.nz) (if you are in New Zealand) or contact our Customer Care team on the below email or phone numbers.

## Registering Your Warranty

For peace of mind you can register your warranty at [omegaappliances.com.au](http://omegaappliances.com.au). Further information on the Warranty can be found at the end of this manual.

## Contact Us

Our customer service team is here to help you with any question or concern. Both teams are on call Monday to Friday 8.30am to 5.00pm and of course you can always send an email at your convenience.

### Australia Contact Details

Monday to Friday 8.30am – 5.00pm  
Email: [customercare@omegaappliances.com.au](mailto:customercare@omegaappliances.com.au)  
Phone: 1300 739 033

### New Zealand Contact Details

Monday to Friday 8.30am – 5.00pm  
Email: [customercare@monacocorp.co.nz](mailto:customercare@monacocorp.co.nz)  
Phone: 09 415 6000

To stay up to date and find simple and easy recipes, follow us on our socials:

[facebook.com/omegaappliances](https://facebook.com/omegaappliances)  
[instagram.com/omegaappliances\\_au](https://instagram.com/omegaappliances_au)

## READ THE INSTRUCTION BOOKLET BEFORE INSTALLING AND USING THE APPLIANCE.

It is important that you retain these instructions, proof of purchase as well as other important documents about this product for future reference.

The manufacturer will not be responsible for any damage to property or to persons caused by incorrect installation or improper use of the appliance.

*Due to continual product development, Omega reserves the right to alter specifications and appearances without notice.*

## Contents

---

Important Safety Warnings .....	1
Appliance Details.....	2
Installation Instructions.....	4-5
Operating Instructions .....	8
Maintenance .....	8
Troubleshooting .....	9
New Zealand Product Warranty Statements of Standard Warranty Conditions .....	10

## Disposal Information

---

- Most of the packaging materials are recyclable. Please dispose of these materials through your local recycling depot or by placing them into appropriate collection containers.
- If you wish to discard this product, please contact your local authorities and ask for the correct method of disposal.

## Important Safety Warnings

---

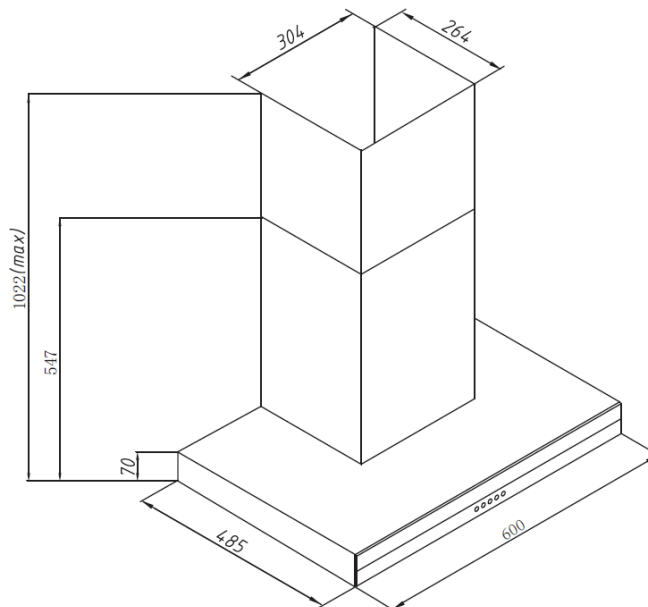
**IMPORTANT:** Read the assembly instruction section and safety precautions of this booklet carefully before removing the contents of this carton.

1. In certain circumstances electrical appliances may be a safety hazard.
2. This appliance is not intended for use by persons (including children) with reduced physical, sensory or mental capabilities, or lack of experience or knowledge, unless they have been given supervision or instruction concerning the use of the appliance by a person responsible for their safety. Young children should be supervised to ensure that they do not play with the appliance.
3. Do not check the status of the filters whilst the cooker hood is operating.
4. Do not touch the light bulbs after use.
5. Do not disconnect the appliance with wet hands.
6. Do not disconnect the power supply by pulling on the cable.
7. Do not flambé underneath the range hood.
8. Avoid free flame, as it may cause damage to the filters and can be a fire hazard.
9. Unplug the appliance before carrying out maintenance, cleaning or replacing lamps.
10. If the power cord is damaged, it must be replaced by the manufacturer, an authorised service centre or similarly qualified persons to avoid a hazard.
11. For indoor use only.
12. It is recommended to operate the range hood prior to cooking.
13. It is recommended to leave the range hood in operation for 15 minutes after cooking is terminated in order to completely eliminate cooking vapours and odours.
14. Turn off the range hood when not in use.
15. Do not use the range hood if it is damaged, especially the supply cord and the case.
16. Do not immerse the range hood in liquid.
17. The exhaust air must not be discharged into a flue which is used for exhausting fumes from an appliance burning gas or other fuels (not applicable to appliances that only discharge the air back into the room).
18. Regulations concerning the discharge of air have to be fulfilled.
19. There shall be adequate ventilation of the room when the range hood is used at the same time as appliances burning gas or other fuels (not applicable to appliances that only discharge the air back into the room).
20. Clean the surface of the cooker hood regularly using a cloth moistened with denatured alcohol or a non-abrasive liquid detergent.
21. There is a fire risk if cleaning is not carried out in accordance with the instructions.
22. Intended for use above hobs that are 900mm wide.
23. The range hood must be mounted at a minimum distance of 65cm above the cooking surface.
24. CAUTION: Accessible parts may become hot when used with cooking appliances.
25. Warning: Failure to install the screws or fixing device in accordance with these instructions may result in electrical hazards.

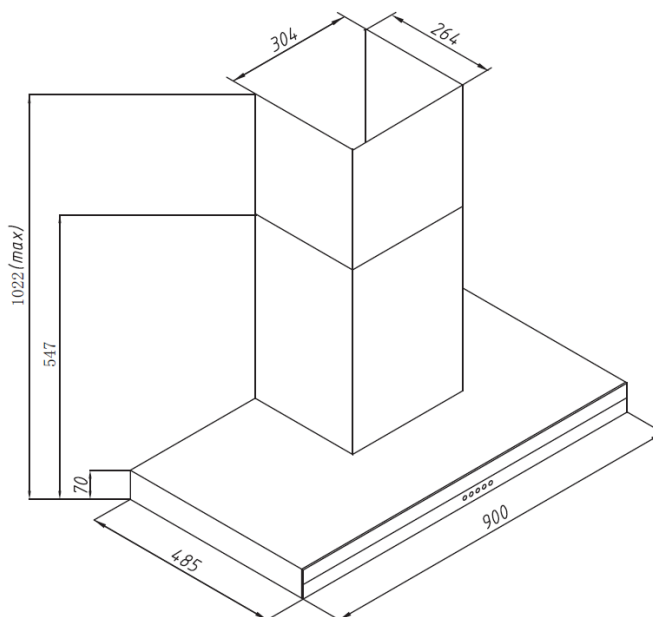
## Appliance Details

<b>Voltage &amp; Frequency:</b>	220-240V 50Hz
<b>Lamp Max:</b>	2 x 2W LED
<b>Rated Input Power:</b>	320W
<b>Total Input Power:</b>	324W

## Product Dimensions



Model pictured: OBC60BX



Model pictured: OBC90BX

## General Information

Before installing and operating the rangehood, carefully read the following important information regarding installation safety and maintenance. Keep this information booklet accessible for further consultations. The appliance has been designed to exhaust cooking fumes externally. Before installation, please ensure that the following have been supplied and that the tools listed below are readily available.

#### **List of contents:**

- Rangehood (including 2 baffle filters) x1
- Inner flue x1
- Outer flue x1
- Ducting outlet x1
- Rubber gasket x1
- Flue support bracket (grey) x1
- Operating and Installation Instruction book x1
- Accessory bag x1, including:
  - Plastic anchor (33mm, white) x4
  - Screw A: Long tapping screw(ST4, 40mm) x4
  - Washer x4
  - Screw B: Large flat head screw (M4, 8mm) x2
  - Screw C: Flat head tapping screw (ST4, 10mm) x4

#### **Typical equipment required:**

- Electric drill
- Screwdriver
- Tape measure
- Spirit level
- Duct tape
- Jig saw
- Ladder

# Installation Instructions

---

## Pre-Installation

**Note:** The range hood is installed directly above the cooktop. The minimum distance between the surface of the cooktop and the underside of the range hood should be a minimum of 650mm and a maximum of 750mm.

Mounting the range hood higher than 800mm above the cooktop surface will result in reduced performance.

**\*For gas cooktops, the surface should be measured from the top of the highest trivet.**

## Preparation:

- Prior to commencing, ensure the cooktop and surrounding bench tops are clear and well protected using cardboard or other protective sheeting.
- If mounting above a gas cooktop, we recommend you remove the trivets, gas caps and any other loose items.
- Do NOT place heavy items directly on the cooktop.
- Do NOT stand on the cooktop.

## Measurement:

- A. Using a tape measure, measure along the rear edge of the cooktop and find the centre, and mark this point on the wall.
- B. From this mark, measure up the rear wall and mark the position of the underside of the range hood, as per the min/max recommendations (650mm-750mm).

**Note: A splash back, or similar wall treatment, may prevent installation of the range hood within the recommended heights. DO NOT INSTALL BELOW 650MM!**

- C. Using a spirit level, lightly mark a horizontal pencil line. This is the underside of the range hood.
- D. Using the spirit level from the point marked in A (above), make a mark at the point where it crosses the line marked in C (above).
- E. Using the spirit level, lightly mark a vertical line from this point, up to the ceiling. This is the centre line of the range hood.

**Note: ENSURE HORIZONTAL LINES ARE LEVEL AND VERTICAL LINES ARE PERPENDICULAR!**

- F. Using the tape measure, measure 337mm above the line marked in C (above) and make a mark on the centre line of the range hood.
- G. Using the spirit level, lightly mark a horizontal pencil line at the point marked in F (above). This is the range hood mounting line.
- H. Using the tape measure, mark a point 130mm either side of the range hood centreline, along the mounting line marked in G (above). These are the range hood mounting points.
- I. Using a spirit level, lightly mark a horizontal pencil line 10mm down the ceiling, make a mark where it crosses the vertical centre line; this is the flue support bracket mounting line.
- J. Using the tape measure, mark a point 80mm either side of the centreline, along the flue support bracket mounting line marked in I (above). These are the flue support bracket mounting points.
- K. Double check all measurements!

## Mounting and installation:

- ***It is the responsibility of the installer/homeowner to ensure the mounting surface and structure will adequately support the operational range hood. If in doubt, DO NOT INSTALL!***
- ***The fixings provided are for installation into solid timber and/or Gib or similar plasterboard. To affix the range hood to other types of surface, please contact a professional range hood installer.***
- ***WE HIGHLY RECOMMEND THIS UNIT IS SECURED INTO SOLID TIMBER FIXING!***

# Installation Instructions

## Fixing the rangehood to the wall:

1. At the two range hood mounting points marked in H (refer to page 4), drill a small pilot hole using a  $\varnothing 6$  drill bit, to a depth of approximately 40mm. After drilling, the distance between two mounting holes should be 260mm shown as A in Fig 1. below.

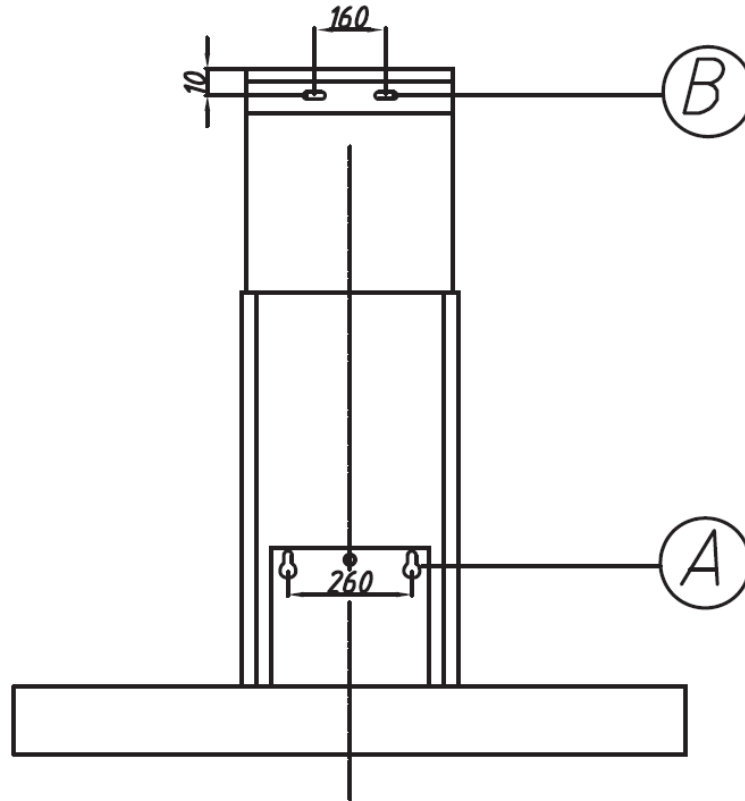


Fig 1.

2. Fixing 2 plastic anchors into the holes drilled as above. Using a second person, carefully position the range hood so the two “teardrops” line up with the plastic anchors.
3. Using a screwdriver, fix the two Screws A (refer to page 3) and two washers into the plastic anchors, through the teardrop fixing points on the range hood. Hands tighten.
4. Check the rangehood body is level.

**Note: Screws A x4 (refer to page 3) are supplied for installation into solid timber and/or Gib or similar plasterboard. To affix to other types of wall surface, please contact professional rangehood installer.**



## Fixing the ducting outlet to the rangehood:

1. Place the duct outlet rubber gasket and duct outlet over the top of rangehood body as per below, Fig 2.

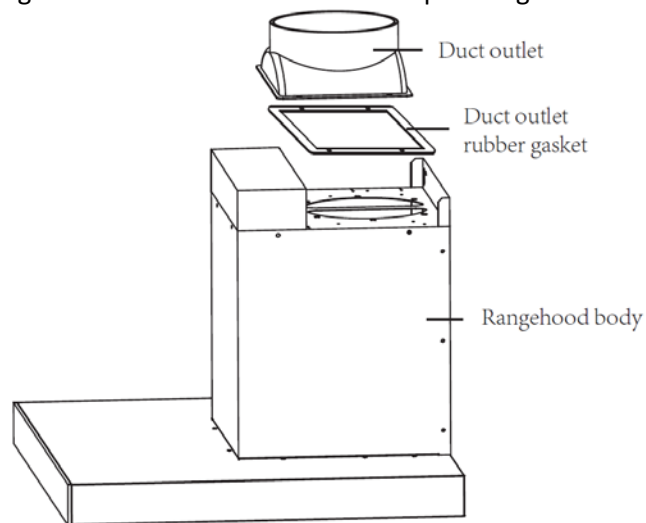


Fig. 2

2. Align the holes on the rubber gasket and duct outlet with the holes on the top of rangehood body, and fix them with 4 Screws C provided, see below, Fig 3.

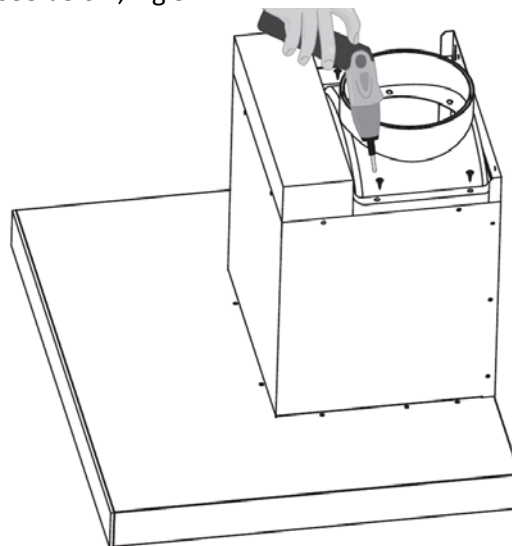


Fig. 3

3. Connect the ducting outlet and  $\varnothing 150\text{mm}$  ducting pipe (needs to be purchased separately).

**Note:** Omega strongly recommends this rangehood is ducted through the Semi-rigid ducting pipe, which ensures better performance and longevity.

## Fixing the flues to the rangehood:

1. At the two flue bracket mounting points marked in J (refer to page 4), drill a small pilot hole using a 6mm drill bit, to a depth of approximately 40mm. After drilling, the distance between two mounting holes should be 160mm as indicated as B in above Fig. 1 (refer to page 5).
2. Fixing 2 plastic anchors into the holes drilled as above.
3. Using a screwdriver, fix remaining two Screws A (refer to page 3) and two washers into the plastic anchors, through the holes on the flue mounting bracket, shown in Fig 4 as below. Hands tighten.

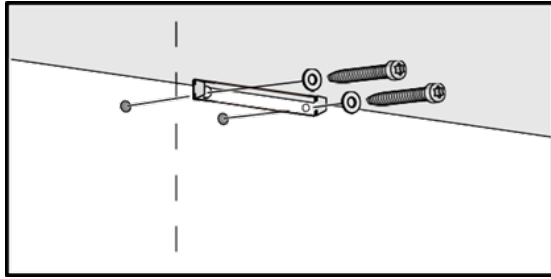


Fig. 4

4. Check the flue mounting bracket is level and hands tighten the screws.
5. Fixing the upper flue to the bracket by using Screw B, shown as below in Fig.5.
6. Sliding down the upper and lower flues to the top of the rangehood body, shown as below in Fig. 6. Make sure the bottom of the lower flue fits perfectly into the slot on the rangehood.

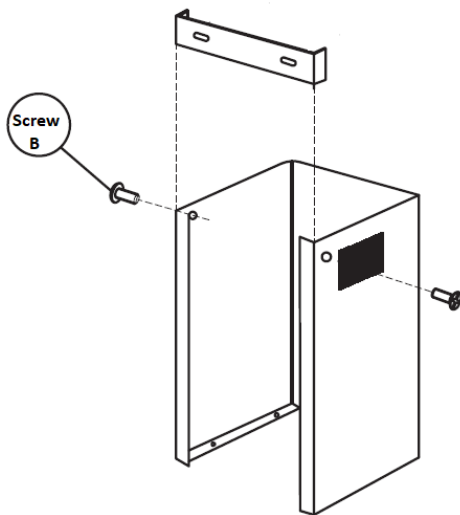


Fig. 5

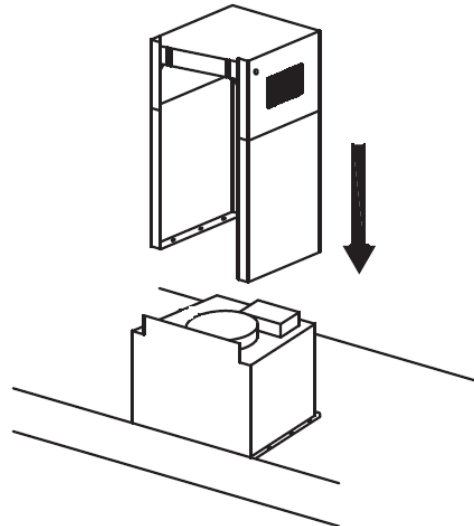
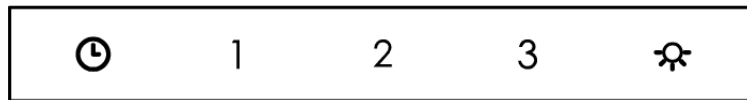




Fig.6

7. Adjusting the position of the ducting pipe according to the specific ducting method, i.e. through soffit, wall or roof; and make sure the flues are up straight.

## Operating Instructions



-  Press this button after turning on the rangehood extractor fan to activate the timer. The rangehood will continue to run on the current setting for 15 minutes and then it will switch off automatically.
- 1** Press this button to turn on the rangehood extractor fan at the first power setting.
- 2** Press this button to turn on the rangehood extractor fan at the second power setting.
- 3** Press this button to turn on the rangehood extractor fan at the third power setting.
-  Press this button to turn the light on and off.

To turn the rangehood extractor fan off, press the current power setting button a second time.

**Note:** It is recommended to operate the appliance prior to cooking. It is recommended to leave the appliance in operation for 15 minutes after cooking is finished in order to completely eliminate cooking vapors and odours.

**Note:** Regular maintenance is required for the rangehood to operate at optimum performance levels.

## Maintenance

The anti-grease filters capture the grease particles suspended in the air, and are therefore subject to clogging according to the frequency of the use of the appliance. In order to prevent a fire hazard, it is recommended to clean the filter at least every two months by carrying out the following instructions:

- Remove the filters from the cooker hood and wash them in a solution of water and neutral liquid detergent, leaving to soak.
- Rinse thoroughly with warm water and leave to dry.

**Note:** The baffle filter panels may alter in color after several washes.

Clean the fan and other surfaces of the rangehood regularly using a cloth moistened with denatured alcohol or non-abrasive liquid detergent.

### Replacing the Baffle Filters

1. Push the clips on the baffle filters and then pull back, then the charcoal filters can be taken down (Fig. 7).
2. Place the washed baffle filters or new ones back to the rangehood by pulling the clips and releasing afterwards.

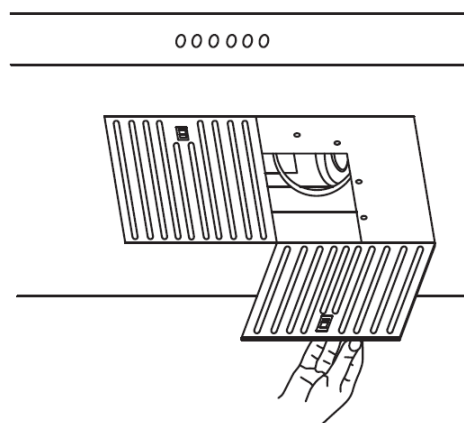


Fig.7

## Troubleshooting

Problem	Possible reason	Solution
Rangehood doesn't work	Electric supply	Check whether the plug is connected
		Check whether the main switch is turned on
Poor airflow	Aluminum grease filters clogged	Clean the filters, assembly back when dry
	Charcoal filters clogged	Replace the charcoal filters
Motor running without air flow	Butterfly valve jammed	Contact technician
After running for a while, motor stop working	High temperature safety device activated	The kitchen is not sufficiently ventilated
	The rangehood is installed too near to the cooking stove	The hood must be least 65cm of distance from the stove
Strong cooking smell	Charcoal filters are not installed	In re-circulating mode, charcoal filters must be installed
Oil dripping onto stove	Baffle filter saturated	Replace baffle filter
		Hand wash the baffle filters
Whirring sound	Fan blade problem	Contact with technician

# New Zealand Product Warranty Statements of Standard Warranty Conditions

---

Nothing herein contained shall be construed in any way as excluding or limiting your rights under the Consumer Guarantee Act 1993. **OUR WARRANTY**

This product is also covered by the manufacturer's warranty set out in this document (Our Warranty).

Our Warranty is for a period of forty eight (48) months from the date of purchase.

This is in addition to (and does not exclude, restrict or modify) any rights or remedies to which you may already be entitled to under the New Zealand Consumer Guarantee act 1993 relating to this product.

Our warranty (which is subject to the conditions below) covers rectification free of charge of any fault arising from defective materials or components or faulty workmanship.

The product will be repaired or replaced at the option of Omega.

Our warranty is subject to the following conditions:

1. That the purchaser contacts Omega prior to any product repair.
2. That the purchaser carefully follows all instructions provided with the product and complies with all relevant electrical & plumbing regulations when installing the product.
3. That the purchaser carefully follows the instructions provided in the owner's handbook relating to the proper use and care of the product and does not use the product for any purpose other than the DOMESTIC use for which it has been designed.

## WHAT IS COVERED: By Our Warranty

During the warranty period, Omega or its authorised Service Centre will, at no extra charge, if your appliance is readily accessible without the need of special equipment and subject to the terms and conditions of this warranty, repair or replace any parts which it considers defective.

## WHAT IS NOT COVERED: By Our Warranty

1. Products installed damaged or incomplete or not in compliance with the relevant electrical & plumbing regulations in their State.
2. Normal wear and tear e.g. cleaning, light globes, filters etc.
3. Failure resulting from power surges and electrical storms.
4. Insect or vermin infestation.
5. Unauthorised repairs or use of non- genuine Omega parts.
6. Any failure caused by the product not being used in accordance with the instruction and the installation manual provided with the product.
7. Misuse or abuse, including failure to properly maintain or service.
8. The clearing of blockages in pumps and hoses.
9. Damage which occurs during delivery or installation.
10. Claims to product surface coating due to liquid or solid spill-overs, accidental damage or damage caused from cleaning products not recommended by Omega.

## HOW TO CLAIM YOUR WARRANTY

Please refer to our website address below for Omega to register your warranty online.

If you are contacting Omega regarding any warranty claims and spare parts inquiries, please make sure you have the following information on hand:

1. Product Name/Model Number
2. Serial Number/s
3. Purchase Date (as per invoice or proof of purchase)
4. Purchased From
5. Warranty Registration Number

[www.omegaappliances.co.nz](http://www.omegaappliances.co.nz)

Omega is division of Monaco Corporation Limited  
(Member of Shriro Australia PTY LTD)

Phone: (09) 415 6000

Email: [customercare@monacocorp.co.nz](mailto:customercare@monacocorp.co.nz)

