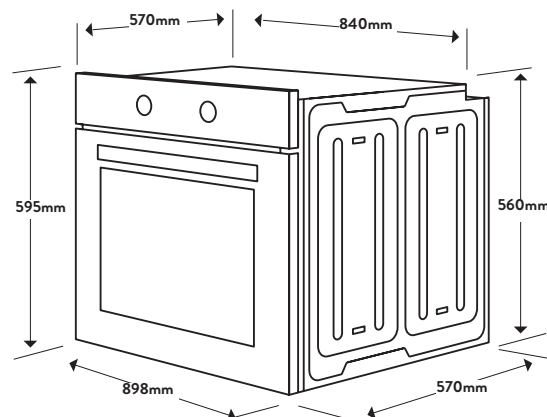




Dimensions/Weight

Overall Dimensions (mm): 595(h) x 898(w) x 570(d)
 Cutout Dimensions (mm): 600(h) x 900(w)
 Weight: 61kg



Technical Details

Style

Oven Type: Standard
 Category Size: 90cm
 Capacity: 129 Litres

Functionality

Oven Functions: Fan Forced
 Grill
 Grill with Fan Assist
 Top Element
 Conventional
 Conventional with Fan Assist
 Steam Clean
 Light
 Defrost
 Maximum Temperature: 250°C
 Clock: Yes
 Timer: Fully Programmable
 Number of Shelf Positions: 4
 Interior Light: Yes

Features & Accessories

Accessories: 1 x Chrome Wire Shelf
 1 x Shallow Baking Tray
 1 x Grill Insert
 Easy View Door: Yes

Installation

Maximum Current: 15amps
 Connection: 240V, 50Hz
 Installation Type: Built-In
 Made In: Europe
 Warranty: 24 Months Parts & Labour

Customer Care

T: 1300 739 033 (AU) 09 415 6000 (NZ)
 E: customercare@omegaappliances.com.au customercare@monacocorp.co.nz

Aesthetics

Finish: Black Glass with Stainless Steel Trim
 Controls: Knob & Touch Control
 Door: Top Opening, Triple Glazed

Key Features

- 129L** **129 Litre Capacity**
 At 129 litres, this large capacity oven will accommodate even the biggest of meals.
- Programmable Timer**
 Get precision and have your meal ready to go at your predefined finish time. Great for those who like to set and forget, knowing your cooking won't get burnt.
- Multifunction**
 Multifunction ovens enable you to cook with a combination of heat from the top and bottom elements. This offers more versatility, control and better results when cooking a variety of dishes.

NB: Drawings are not to scale - they are to assist only.
 WARNING: technical specifications and product sizes can be varied by the manufacturer without notice. Cutouts for appliances should only be by physical product measurements. The above information is indicative only.