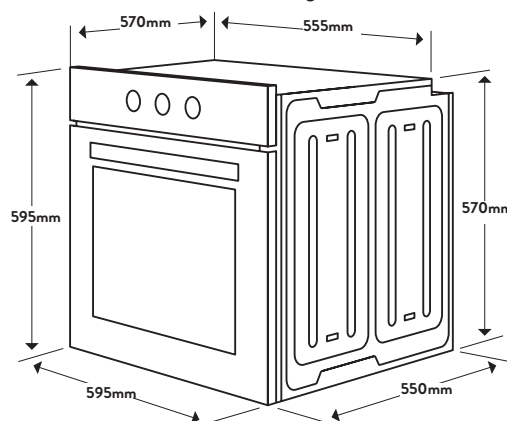




## Dimensions/Weight

Overall Dimensions (mm): 595(h) x 595(w) x 570(d)  
 Cutout Dimensions (mm): 598(h) x 598(w)  
 Weight: 36.6kg



## Technical Details

### Style

Oven Type: Standard  
 Category Size: 60cm  
 Capacity: 90 Litres

### Functionality

Oven Functions: Fan Forced  
 Half Grill  
 Grill  
 Grill with Fan Assist  
 Pyrolytic Clean  
 Conventional  
 Conventional with Fan Assist  
 Defrost  
 Max Cooking Temperature: 270°C  
 Clock: Yes  
 Timer: Fully Programmable  
 Number of Shelf Positions: 8  
 Interior light: Yes

### Features & Accessories

Accessories: 1 x Chrome Wire Shelf  
 1 x Shallow Baking Tray  
 1 x Grill Insert  
 1 x Set of Telescopic Runners  
 Easy View Door: Yes

### Installation

Maximum Current: 15amps  
 Connection: 240V, 50Hz  
 Installation Type: Built-In

Made In: Europe  
 Warranty: 24 Months Parts & Labour

## Customer Care

T: 1300 739 033 (AU) 09 415 6000 (NZ)  
 E: [customercare@omegaappliances.com.au](mailto:customercare@omegaappliances.com.au) [customercare@monacocorp.co.nz](mailto:customercare@monacocorp.co.nz)

## Aesthetics

Finish: Black Glass with Stainless Steel Trim  
 Controls: Knob & Touch Control  
 Door: Top Opening, Quad Glazed

## Key Features

**EUR** **Made in Europe**  
 Built to the highest quality and standards, this quality European pyrolytic oven is sure to meet your needs.

**Pyrolytic Cleaning**  
 Ovens with this feature use extreme internal heat to turn any grease and food residue into ash that can simply be wiped away.

**Multifunction**  
 Multifunction ovens enable you to cook with a combination of heat from the top and bottom elements. This offers more versatility, control and better results when cooking a variety of dishes.