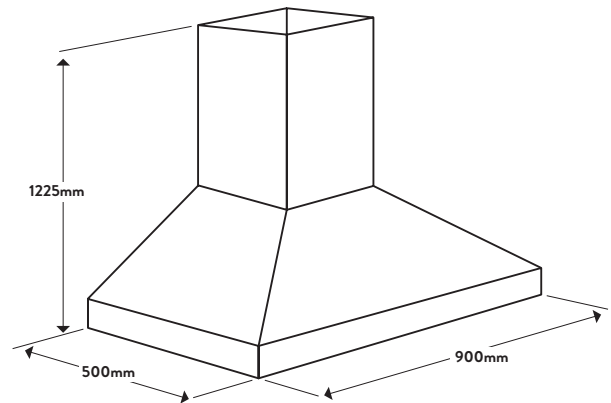




Dimensions/Weight

Overall Dimensions (mm): 1225(max h) x 900(w) x 500(d)
 Chimney Height (mm): 500 - 980 Fully Extended
 Flue Diameter (mm): 150mm
 Weight: 9kg



Technical Details

Style

Rangehood Type: Canopy
 Category Size: 90cm

Functionality

Extraction Type: Ducted or Recirculating
 Extraction Rate: 730m³/hr Net
 Number of Motors: 1
 Watts of Motor: 190w
 Speeds: 3
 Filtration: 3 x Aluminium Removable & Washable Filters
 Lights: 2 x 20W Halogen
 dBA Rating: 57.3dBA

Accessories

Carbon Filter: Included (ORCF110)

Installation

Maximum Current: 10amps 3 Pin Plug
 Connection: 220 - 240V, 50Hz
 Installation Type: Wall Mounted
 Warranty: 24 Months Parts & Labour

Aesthetics

Finish: Brushed Stainless Steel
 Controls: Backlit Push Buttons
 Chimney Extension: Optional OREF782A

Key Features



Carbon Filters

Carbon filters do a superior job of cleaning the air before it re-enters the kitchen, ensuring your kitchen will be smelling fresh.

Customer Care

T: 1300 739 033 (AU) 09 415 6000 (NZ)
 E: customercare@omegapliances.com.au customercare@monacocorp.co.nz

Updated 30/01/2020 - V1

NB: Drawings are not to scale - they are to assist only.
 WARNING: technical specifications and product sizes can be varied by the manufacturer without notice. Cutouts for appliances should only be by physical product measurements. The above information is indicative only.

