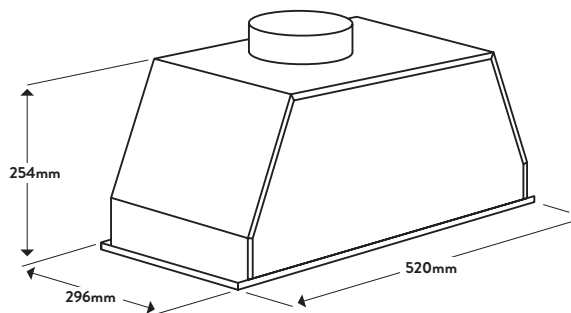


## Dimensions/Weight

Overall Dimensions (mm):	254(h) x 520(w) x 296(d) (+60h for the Flue Connection)
Chimney Height (mm):	N/A
Flue Diameter (mm):	150mm
Weight:	7.5kg



## Technical Details

### Style

Rangehood Type:	Undermount
Category Size:	52cm

### Functionality

Extraction Type:	Ducted or Recirculating
Extraction Rate:	790m <sup>3</sup> /hr Net
Number of Motors:	1
Watts of Motor:	265w
Speeds:	3
Filtration:	1 x Aluminium Removable & Washable Filters
Lights:	2 x 40W Halogen
dBA Rating:	51-66dBA

### Accessories

Carbon Filter:	Optional ALFL68A601C (Spare Part)
----------------	--------------------------------------

### Installation

Maximum Current:	10amps 3 Pin Plug
Connection:	240V, 50Hz
Installation Type	Built Into Overhead Cabinetry
Warranty:	24 Months Parts & Labour

## Aesthetics

Finish:	Stainless Steel
Controls:	Push Buttons

## Key Features



### High Air Extraction

Cooking three or four dishes at once on a cook top usually generates extra steam and smoke. So, if your favourite dishes rely on woks, pots and frying pans then you probably need a powerful Omega rangehood. One that clears the air quietly and efficiently. Look for a higher model number. That means it offer more powerful suction.



### Washable Filter

The removable, washable filter is easy to maintain and keep clean ensuring your rangehood always performs well.

## Customer Care

T: 1300 739 033 (AU) 09 415 6000 (NZ)  
E: [customercare@omegaappliances.com.au](mailto:customercare@omegaappliances.com.au) [customercare@monacocorp.co.nz](mailto:customercare@monacocorp.co.nz)

Updated 30/01/2020 - V1

NB: Drawings are not to scale - they are to assist only.  
WARNING: technical specifications and product sizes can be varied by the manufacturer without notice. Cutouts for appliances should only be by physical product measurements. The above information is indicative only.