

Omega 90cm slide-out rangehood with halogen lights in white and stainless steel finish.

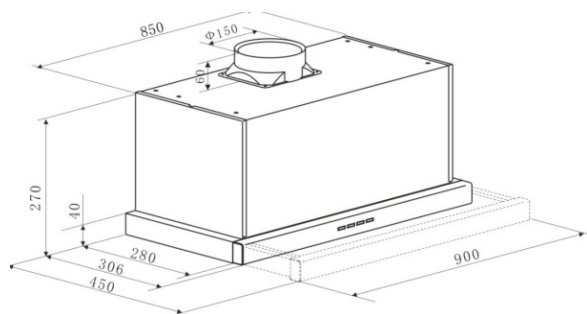


Technical details

Profile type: Slide-out
 Size: 90cm
 Installation type: Built into overhead cabinetry
 Airflow: 930m³/hr NET
 Number of motors: 1
 Watts of motor: 265W
 Speeds: 3
 Carbon filter: No
 Filtration: 2 aluminium, removable and washable filters
 Lighting: 2 x 20W halogen
 Noise level (DB): 53-66dBA
 Air extraction: Ducted
 Maximum current: 10amps 3 pin plug
 Connection: 240V, 50Hz
 Warranty: 24 months parts and labour

Aesthetics

Finish: White body and stainless steel panel
 Front rail: YES 40mm fixed
 Extension flue: No
 Control type: Backlit push button controls



Dimensions/weight

Overall dimensions (mm): 270h x 900w x 306d (450d extended)
 Chimney height (mm): N/A
 Flue diameter: 150mm
 Weight: 12.5kg



HIGH AIR FLOW

Key features	Benefits
High air flow	Omega high air extraction rangehoods typically draw more than 780m ³ of air per hour keeping your kitchen smoke free.
90cm width	Great for wide spaces and large cooktops.
Slide-out design	This appliance has a very shallow height meaning it is perfect for an area with low overhead cupboards.

NB: Drawings are not to scale - they are to assist only. WARNING: technical specifications and product sizes can be varied by the manufacturer without notice. Cut-outs for appliances should only be by physical product measurements. The above information is indicative only.