

# Omega Rangehoods

# ORT6WXA

Omega 60cm slide-out rangehood with halogen lights, white body, two stainless steel fascia panels included – 40mm and 80mm.

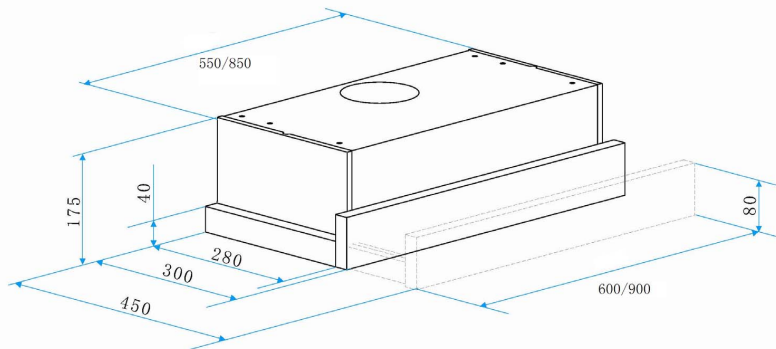


## Technical details

Profile type: Slide-out  
 Size: 60cm  
 Installation type: Built into overhead cabinetry  
 Airflow: 378m<sup>3</sup>/hr NET  
 Number of motors: 2  
 Watts of motor: 100W  
 Speeds: 3  
 Carbon filter: Included (ORCF110)  
 Filtration: 2 aluminium, removable and washable filters  
 Lighting: 2 x 20W halogen  
 Noise level (DB): 47-56dBA  
 Air extraction: Ducted or recirculating  
 Maximum current: 10amps 2 pin plug  
 Connection: 240V, 50Hz  
 Warranty: 24 months parts and labour

## Aesthetics

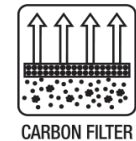
Finish: White body and stainless steel panel  
 Front rail: Yes, 80mm  
 Control type: Concealed sliding switch



## Dimensions/weight

Overall dimensions (mm): 175h x 600w x 300d (450d extended)  
 Chimney height (mm): N/A  
 Flue diameter: 120mm  
 Weight: 11.5kg

**PLEASE NOTE:** THIS PRODUCT IS CURRENTLY FITTED WITH AN 80MM RAIL AND COMES WITH A 40MM RAIL AS AN ACCESSORY. PLEASE REFER TO INSTRUCTIONS FOR CHANGING RAILS.



Key features	Benefits
<b>Twin rails</b>	This product comes with an 80mm stainless steel panel and an additional 40mm panel, it offers the flexibility of 2 panels which will suit all kitchen designs.
<b>Carbon filter</b>	A carbon filter does a superior job of cleaning the air before it re-enters the kitchen. This means you will have less leftover odours and the air will smell fresher.
<b>Recirculation</b>	A recirculating rangehood draws the air inside the appliance, cleans it and pushes it through the front panel. Because there is no ducting required, these rangehoods are very easy to install.

NB: Drawings are not to scale - they are to assist only. WARNING: technical specifications and product sizes can be varied by the manufacturer without notice. Cut-outs for appliances should only be by physical product measurements. The above information is indicative only.