

# Omega Rangehoods

# ORC98G

Omega 90cm straight glass canopy rangehood with halogen lights with stainless steel and glass finish.

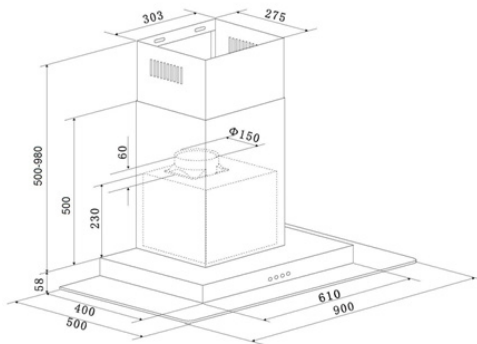


### Technical details

Profile type:	Glass canopy
Size:	90cm
Installation type:	Wall mounted
Airflow:	889m <sup>3</sup> /hr NET
Number of motors:	1
Watts of motor:	265W
Speeds:	3
Carbon filter:	Optional ATCF260 (spare part)
Filtration:	2 aluminium, removable and washable filters
Lighting:	2 x 20W halogen
Noise level (DB):	53-66dBA
Air extraction:	Ducted or Recirculated
Maximum current:	10amps 3 pin plug
Connection:	240V, 50Hz
Warranty:	24 months parts and labour

### Aesthetics

Finish:	Stainless steel with straight glass
Chimney Extension:	No
Control type:	Push buttons



### Dimensions/weight

Overall dimensions (mm):	1038h x 900w x 500d
Chimney height (mm):	500-980mm fully extended
Flue diameter:	150mm
Net weight:	19kg



HIGH AIR FLOW

Key features	Benefits
<b>High air flow</b>	Omega high air extraction rangehoods typically draw more than 780m <sup>3</sup> of air per hour keeping your kitchen smoke free.
<b>Stainless steel with straight glass</b>	Stainless steel appliances are easy to clean, more durable and have increased longevity. This appliance looks aesthetically appealing with the straight glass finish.
<b>1038mm fully extended</b>	This appliance is great for tall cabinets and high ceilings.

NB: Drawings are not to scale - they are to assist only. WARNING: technical specifications and product sizes can be varied by the manufacturer without notice. Cut-outs for appliances should only be by physical product measurements. The above information is indicative only.