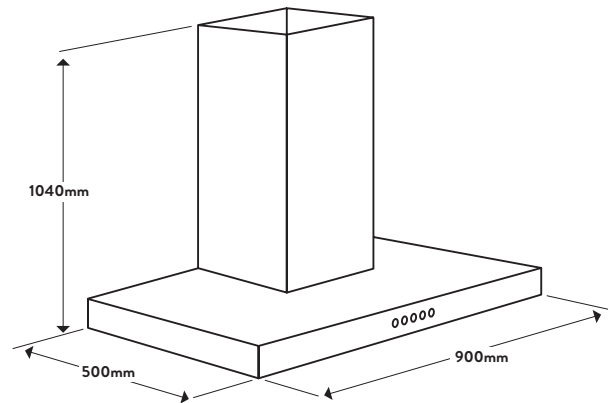




Dimensions/Weight

Overall Dimensions (mm): 1040(h) x 900(w) x 500(d)
 Chimney Height (mm): 490 - 970 Fully Extended
 Flue Diameter (mm): 150mm
 Weight: 16.2kg



Technical Details

Style

Rangehood Type: Glass Canopy
 Category Size: 90cm

Functionality

Extraction Type: Ducted or Recirculating
 Extraction Rate: 830m³/hr Net
 Number of Motors: 1
 Watts of Motor: 265w
 Speeds: 3
 Filtration: 1 x Aluminium Removable & Washable Filters
 Lights: 2 x 20W Halogen
 dBA Rating: 50.7-64.8dBA

Accessories

Carbon Filter: Optional ATCF260 (Spare Part)

Installation

Maximum Current: 10amps 3 Pin Plug
 Connection: 240V, 50Hz
 Installation Type: Wall Mounted
 Warranty: 24 Months Parts & Labour

Aesthetics

Finish: Stainless Steel and Curved Glass
 Controls: Push Buttons
 Chimney Extension: No

Key Features



High Air Extraction

Cooking three or four dishes at once on a cook top usually generates extra steam and smoke. So, if your favourite dishes rely on woks, pots and frying pans then you probably need a powerful Omega rangehood. One that clears the air quietly and efficiently. Look for a higher model number. That means it offer more powerful suction.

Customer Care

T: 1300 739 033 (AU) 09 415 6000 (NZ)
 E: customercare@omegaappliances.com.au customercare@monacocorp.co.nz

Updated 30/01/2020 - V1

NB: Drawings are not to scale - they are to assist only.
 WARNING: technical specifications and product sizes can be varied by the manufacturer without notice. Cutouts for appliances should only be by physical product measurements. The above information is indicative only.