

Omega 90cm 7 function electric oven with 9 rack/shelf positions, triple glazed door, touch controls and stainless steel finish.



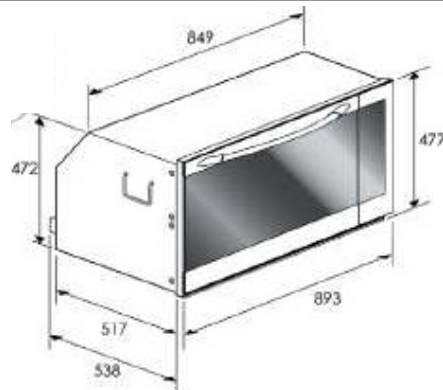
### Technical details

Oven type: Standard  
 Oven category size: 90cm  
 Oven capacity: 84 litres  
 Clock function: Digital  
 Timer function: Touch control fully programmable timer  
 Number of shelves: 2 chrome wire  
 Number of shelf positions: 9  
 Easy view: Yes  
 Grill element: Yes  
 Bottom element: Yes  
 Top element: Yes  
 Fan element: Yes  
 Maximum cooking temperature: 250°C  
 Baking tray: 1  
 Grill pan: 1  
 Grill insert: 1  
 Grill handle: 1  
 Telescopic runners: 2

Light: Yes  
 Installation type: Hardwired; built-in, under bench or wall mounted  
 Maximum current: 15amps  
 Connection: 240V, 50Hz  
 Warranty: 24 months parts and labour  
 Made in: Italy

### Aesthetics

Finish: Stainless steel with black glass  
 Door type/glazing: Top opening triple glazed  
 Type of controls: Knob and touch controls  
 Number of knobs: 2 - function and temperature



### Dimensions/weight

Dimensions of the product (mm): 477h x 893w x 550d  
 Dimensions of the flush mount cut-out (mm): 480h x 896w  
 Dimensions of the proud mount cut-out (mm): 473h x 860w  
 Weight (kg): 64kg



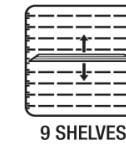
MULTI FUNCTION



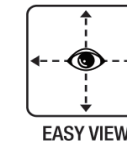
MADE IN ITALY



SAFE TOUCH



9 SHELVES



EASY VIEW



CAPACITY

Key features	Benefits
<b>9 rack/shelf positions</b>	Nine rack/shelf positions inside the oven provides maximum flexibility. You can easily move the shelves to fit more food or place it in a better position for the perfect cooking result.
<b>Made in Italy</b>	This appliance was made in Italy, we use Italian designers and manufacturers to ensure our products have the most fashionable appearance and finest quality.
<b>6 chicken capacity</b>	These ovens have an extra-large capacity that can accommodate six large chickens at once.

NB: Drawings are not to scale - they are to assist only. WARNING: technical specifications and product sizes can be varied by the manufacturer without notice. Cut-outs for appliances should only be by physical product measurements. The above information is indicative only.