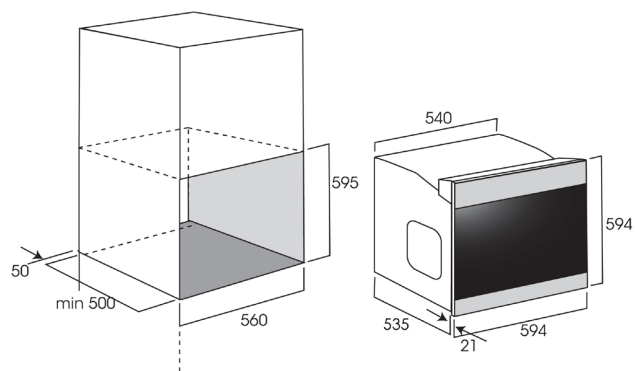


Omega 60cm 5 function electric oven with 5 rack/shelf positions and stainless steel finish.



Technical details

Oven type:	Standard	Rotisserie rack:	No
Oven category size:	60cm	Perforated tray:	No
Oven capacity:	58 litres	Cleaning function:	No
Clock function:	No	Light:	Yes
Timer function:	Semi-automatic	Installation type:	Hardwired
Number of shelves:	2 chrome wire	Maximum current:	15amps
Number of shelf positions:	5	Connection:	240V, 50Hz
Easy view:	No	Warranty:	24 months parts and labour
Grill element:	Yes	Made in:	Italy
Bottom element:	No		
Fan element:	Yes		
Rotisserie function:	No	Aesthetics	
Maximum cooking temperature:	250°C	Finish:	Stainless steel with black glass
Baking tray:	No	Door type/glazing:	Top opening double glazed
Grill pan:	1	Type of controls:	Knob controls
Grill insert:	1	Number of controls:	3
Grill handle:	1		
Telescopic runners:	No		



Dimensions/weight

Dimensions of the product (mm):	594h x 594w x 556d
Dimensions of the flush mount cut-out (mm):	597h x 598w
Dimensions of the proud mount cut-out (mm):	580h x 580w
Weight (kg):	37kg



Key features	Benefits
Semi automatic timer	When the timer is up the oven switches off automatically, this is convenient if you are out and about.
Made in Italy	This appliance was made in Italy, we use Italian designers and manufacturers to ensure our products have the most fashionable appearance and finest quality.
4 chicken capacity	Four chickens can easily fit into this 60cm oven at once.

NB: Drawings are not to scale - they are to assist only. WARNING: technical specifications and product sizes can be varied by the manufacturer without notice. Cut-outs for appliances should only be by physical product measurements. The above information is indicative only.