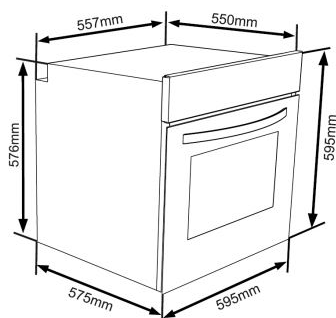


Omega 60cm 8 function pyrolytic oven with 9 rack/shelf positions, a quad glazed door, safe touch and a stainless steel finish.

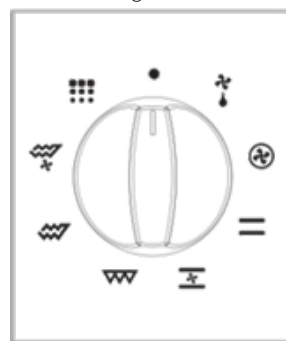


Technical details

Oven type:	Pyrolytic	Cleaning function:	Pyrolytic
Oven category size:	60cm	Light:	Yes
Oven capacity:	70 litres	Installation type:	Hardwired
Clock function:	Digital	Maximum current:	15amps
Timer function:	Fully programmable timer	Connection:	240V, 50Hz
		Warranty:	24 months parts and labour
		Made in:	Europe
Number of shelves:	2 chrome wire		
Number of shelf positions:	9		
Grill element:	Yes	Aesthetics	
Bottom element:	Yes	Finish:	Stainless steel with black glass
Fan element:	Yes	Door type/glazing:	Top opening quad glazed
Maximum cooking temperature:	270°C	Type of controls:	Knob and touch controls
Baking tray:	1	Number of knobs:	2 - function, temperature
Grill pan:	1		
Grill insert:	1		
Grill handle:	1		



Cooking functions



Dimensions/weight

Dimensions of the product (mm):	595h x 595w x 575d
Dimensions of the flush mount cut-out (mm):	598h x 598w
Dimensions of the proud mount cut-out (mm):	580h x 580w
Weight (kg):	37kg

Key features	Benefits
Programmable timer	A programmable timer allows you to set your oven to start cooking at a later time. All you need to do is place the food in it, set the timer and walk away.
Pyrolytic	Ovens with this feature use extreme heat to turn any grease and food residue into ash that can simply be wiped away.
Safe touch	This oven has 4 layers of glass resulting in the door being safe to touch. This makes it safe for big and little hands.

NB: Drawings are not to scale - they are to assist only. WARNING: technical specifications and product sizes can be varied by the manufacturer without notice. Cut-outs for appliances should only be by physical product measurements. The above information is indicative only.