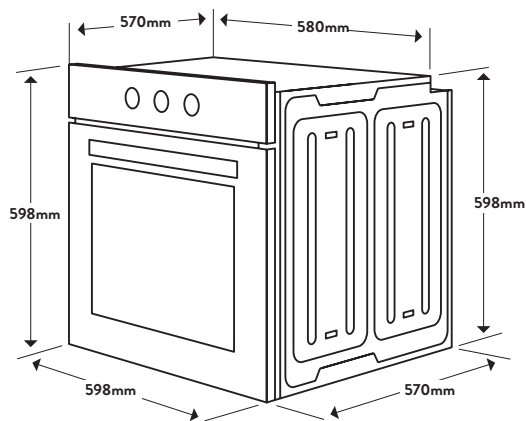




Dimensions/Weight

Overall Dimensions (mm): 595(h) x 595(w) x 570(d)
 Flush Mount Cut-Out (mm): 598(h) x 598(w)
 Proud Mount Cut-Out (mm): 580(h) x 580(w)
 Weight: 37kg



Technical Details

Style

| | |
|----------------|-----------|
| Oven Type: | Standard |
| Category Size: | 60cm |
| Capacity: | 90 Litres |

Functionality

| | |
|----------------------------|--|
| Oven Functions: | Fan Forced Half Grill Grill Grill with Fan Assist |
| Max Cooking Temperature: | 250°C |
| Clock: | Yes |
| Timer: | Fully Programmable |
| Number of Shelf Positions: | 8 |
| Light: | Yes |

Features & Accessories

| | |
|-----------------|--|
| Accessories: | 2 x Chrome Wire Shelves 1 x Grill Insert 1 x Grill Handle 1 x Baking Tray |
| Easy View Door: | Yes |

Installation

| | |
|--------------------|----------------|
| Maximum Current: | 15amps |
| Connection: | 220-240V, 50Hz |
| Installation Type: | Hardwired |

| | |
|-----------|--------------------------|
| Made In: | Europe |
| Warranty: | 24 Months Parts & Labour |

Customer Care

T: 1300 739 033 (AU) 09 415 6000 (NZ)
 E: customercare@omegaappliances.com.au customercare@monacocorp.co.nz
 Updated 30/01/2020 - V1

Aesthetics

| | |
|-----------|---|
| Finish: | Slim Control Panel with Matt Black Trim |
| Controls: | 2 Knob Controls |
| Door: | Top Opening Triple Glazed |

Key Features



Easy View

Designed so you can see into the oven without opening the door through the largest and clearest oven window possible.



Multifunction

This oven has a bottom, top and main element for more versatility and allows for better results in difficult dishes such as pastries, pies and pizzas.



Safe Touch

This oven has three layers of glass resulting in the door being cooler to touch. This makes it safer for big and little hands.

NB: Drawings are not to scale - they are to assist only.
 WARNING: technical specifications and product sizes can be varied by the manufacturer without notice. Cutouts for appliances should only be by physical product measurements. The above information is indicative only.

