

Omega Ovens

OBO660X
Commercial Exclusive

Omega 60cm electric oven, triple glazed door and black glass and stainless steel finish.



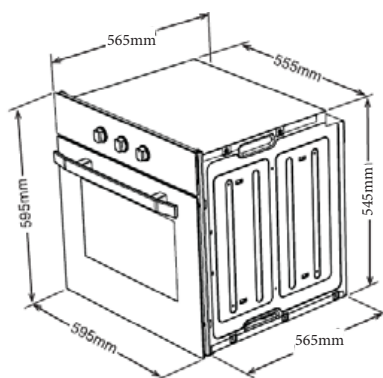
Technical details

Oven type:	Standard
Oven category size:	60cm
Oven capacity:	72 litres
Oven function:	4 function
Timer function:	Fully programmable
Number of shelves:	1 wire shelf
Number of shelf positions:	4
Easy view:	Yes
Grill element:	Yes
Fan element:	Yes
Bottom element:	No
Top element:	No
Maximum cooking temperature:	250°C
Baking tray:	1 with wire insert
Grill pan:	No

Light:	Yes
Installation type:	Plug and play; Built-in, under bench or wall mounted
Maximum current:	10amp Plug and Play
Connection:	240V, 50Hz
Warranty:	5 Years
Made in:	Europe

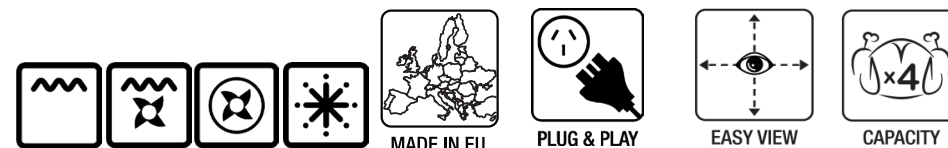
Aesthetics

Finish:	Stainless steel with black glass
Door type/glazing:	Top opening triple glazed
Type of controls:	Knob controls
Number of knobs:	2 - Function & temperature with touch timer



Dimensions/weight

Dimensions of the product (mm):	595h x 595w x 565d
Dimensions of the flush mount cut-out (mm):	598h x 598w
Dimensions of the proud mount cut-out (mm):	580h x 580w



Key features	Benefits
Plug and Play	This appliance has been designed with a 10amp plug to connect straight into the wall so you can start cooking. You do not need a specific plug or a technician to operate this machine.
4 chicken capacity	Four chickens can easily fit into this 60cm oven at once.
Stainless steel finish	Stainless steel appliances are sleek, durable and have a modern appearance.

NB: Drawings are not to scale - they are to assist only. WARNING: technical specifications and product sizes can be varied by the manufacturer without notice. Cut-outs for appliances should only be by physical product measurements. The above information is indicative only.