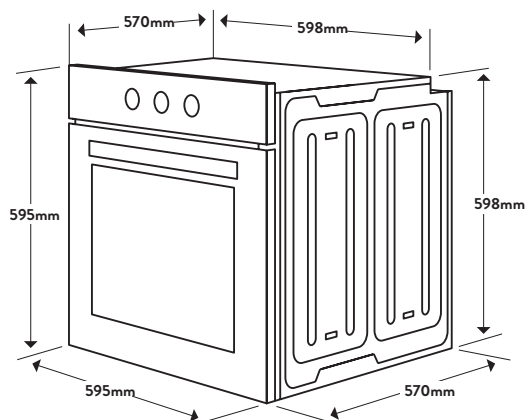




Dimensions/Weight

Overall Dimensions (mm): 595(h) x 595(w) x 570(d)
 Flush Mount Cut-Out (mm): 598(h) x 598(w)
 Proud Mount Cut-Out (mm): 580(h) x 580(w)
 Weight: 37kg



Technical Details

Style

Oven Type:	Standard
Category Size:	60cm
Capacity:	70 Litres

Functionality

Oven Functions:	Fan Forced Half Grill Grill Grill with Fan Assist
Max Cooking Temperature:	250°C
Clock:	No
Timer:	Semi-automatic
Number of Shelf Positions:	9
Light:	Yes

Features & Accessories

Accessories:	2 x Chrome Wire Shelf 1 x Shallow Baking Tray
Easy View Door:	Yes

Installation

Maximum Current:	10amps
Connection:	240V, 50Hz
Installation Type:	Plug and Play

Made In:	Europe
Warranty:	24 Months Parts & Labour

Aesthetics

Finish:	Stainless steel with black glass
Controls:	3 Knob controls
Door:	Top opening double glazed

Key Features

- 9

Nine Racks

An upgrade on the usual 4 or 5 racks giving you maximum flexibility.
- Plug and Play**

Designed with a 10amp plug so you can connect to a standard powerpoint.
- Easy View**

Designed so you can see into the oven without opening the door through the largest and clearest oven window possible.

Customer Care

T: 1300 739 033 (AU) 09 415 6000 (NZ)
 E: customercare@omegaappliances.com.au customercare@monacocorp.co.nz
 Updated 30/01/2020 - V1

NB: Drawings are not to scale - they are to assist only.
 WARNING: technical specifications and product sizes can be varied by the manufacturer without notice. Cutouts for appliances should only be by physical product measurements. The above information is indicative only.

