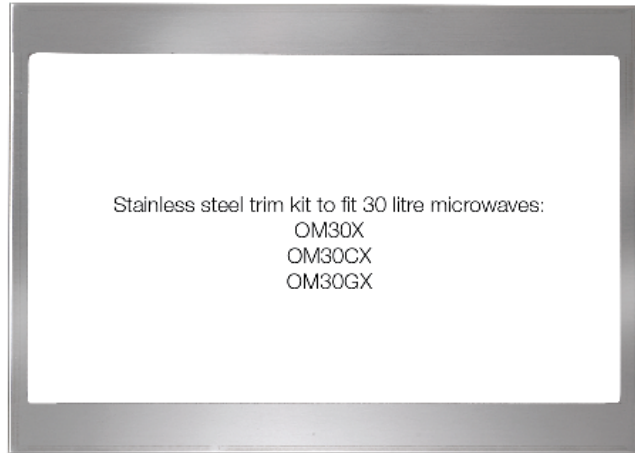


## Omega stainless steel trim kit for microwaves



Stainless steel trim kit to fit 30 litre microwaves:  
OM30X  
OM30CX  
OM30GX

### Technical details

Capacity: To fit 30 litre microwaves  
OM30X  
OM30CX  
OM30GX

Cabinetry ventilation: Suitable for tower installation only due to ventilation requirements. A 600mm x 100mm minimum opening is required at the rear. Refer to install diagram for requirements.

Parts: Fascia assembly, 4x plastic female clips, base assembly, 8x 6 gauge screws and 2x 6 gauge screws

### Aesthetics

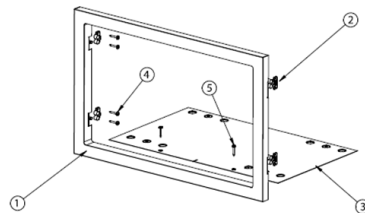
Finish: Stainless steel  
Installation type: Integrated

### Aesthetics

Finish: Stainless steel  
Installation type: Integrated

### TRIMKIT INSTALLATION GUIDE FOR 30L OMEGA MICROWAVE OVENS

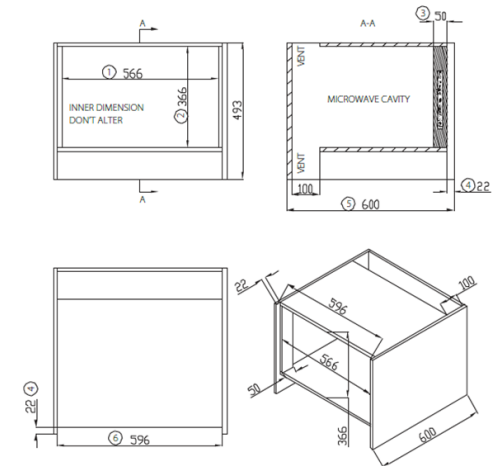
#### PART IDENTIFICATION SHEET



1. FASCIA ASSEMBLY
2. 4 off PLASTIC FEMALE CLIPS
3. BASE ASSEMBLY
4. 8 off 6 GAUGE SCREWS
5. 2 off 6 GAUGE SCREWS

### Dimensions/weight

Overall kit dimensions (mm): 376h x 592w x 20d (front fascia)  
Cavity dimensions (mm): 376h x 566w x 600d



#### Cabinet Measurement Requirements (illustrated above):

1. Reference 1 - Cabinet's inner dimension in WIDTH is 566mm. This is the minimum distance from the left batten to right batten. Do not alter.
2. Reference 2 - Cabinet's inner dimension in HEIGHT is 366mm. This is the minimum distance from the left batten to right batten. Do not alter.
3. Reference 3 - The 2 batten pieces should be 50mm by 366mm, with their width no more than 50mm apart.
4. Reference 4 - Front edge dimension of the cabinet should be 22mm. Do not alter.
5. Reference 5 - Cabinet's depth should be no less than 600mm.
6. Reference 6 - Outside dimension of cabinet should be no less than 596mm as the frame length is 592mm.

NB: Drawings are not to scale - they are to assist only. WARNING: technical specifications and product sizes can be varied by the manufacturer without notice. Cut-outs for appliances should only be by physical product measurements. The above information is indicative only.