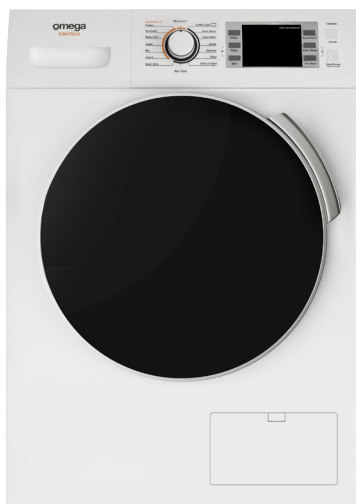
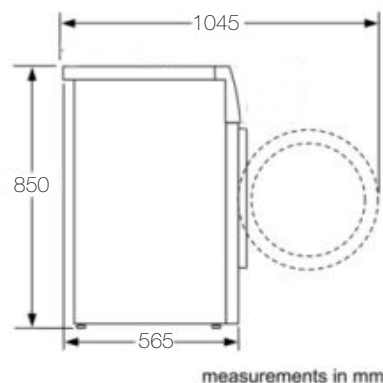


Omega Identico 9kg Front Load Washer



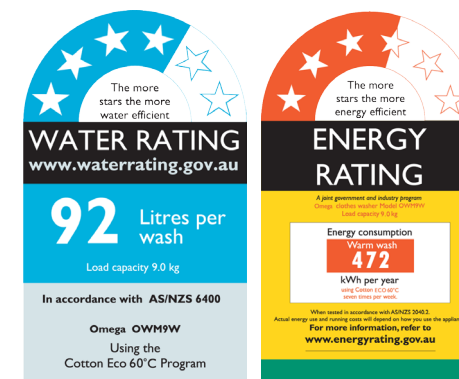
Technical details

Installation style:	Freestanding
Capacity:	9kg wash
Programs:	16 (see manual)
Connection:	Cold water
Power Supply:	10AMP 220-240V
Spin Speed:	600 to 1600
Temperature:	Cold 20c to 90c
Display:	LED
Child Lock:	Yes
Interior Lighting:	No
Energy Rating:	3 Stars
Water Rating:	4 Stars
Delay Start:	Yes (0-24hr)



Dimensions/weight

Overall dimensions (mm): 850h x 595w x 565d
 Weight: 72kg



Key features	Benefits
16 Programs	Complete Versatility for washing of all clothing types.
Child lock	Added safety and peace of mind ensuring that the selected program cannot be changed when child lock is activated.
LED Display	Easy viewing of programs, wash progress and remaining time indications.

NB: Drawings are not to scale - they are to assist only. WARNING: technical specifications and product sizes can be varied by the manufacturer without notice. Cut-outs for appliances should only be by physical product measurements. The above information is indicative only.