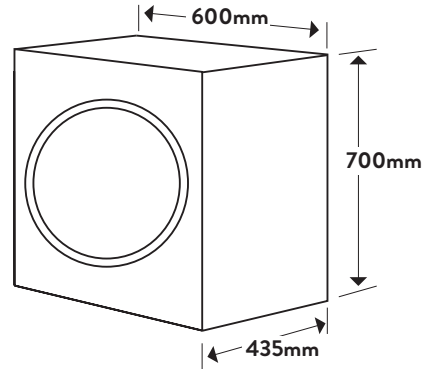




**Dimensions/Weight**

Overall Dimensions (mm): 700(h) x 600(w) x 545(d)  
 Weight: 22kg



**Technical Details**

**Style**

Dryer Type: Vented Dryer  
 Capacity: 6kg

**Functionality**

Heat Settings: High Heat/Low Heat  
 Drum Rotation: One Way  
 Timer Temperatures (°C): Cool 0 - 20  
 Warm 20 - 120  
 Hot 120 - 200  
 Air Dry 0 - 80  
 Motor: 120W  
 Rated Power Input: 1500W  
 Ducting: Outlet Connection Supplied  
 Energy Rating: 2 Stars  
 Maximum Current: 10amp / 3 Pin Plug  
 Connection: 240V, 50Hz  
 Warranty: 24 Months Parts and Labour

**Installation**

Installation Style: Freestanding or Wall Mounted (Kit Supplied)

**Aesthetics**

Finish: White Enamel  
 Controls: Rotary Control Knobs and Buttons

**Key Features**



**6kg Capacity**

Large enough to fit all you need dried, but not too large meaning you get power efficiency, time efficiency and with a little less fuss.



**24 Month Warranty**

Peace of mind 24 month parts and labour gives you peace of mind. If you ever need help our customer care will line are always there for you via phone, email or on social media.



**Vented**

This dryer is vented which means it heats air and blows it through the tumbling clothes. The warm damp air is then blown out of the dryer.

**Customer Care**

T: 1300 739 033 (AU) 09 415 6000 (NZ)  
 E: [customercare@omegaappliances.com.au](mailto:customercare@omegaappliances.com.au) [customercare@monacocorp.co.nz](mailto:customercare@monacocorp.co.nz)

Updated 30/01/2020 - V1

NB: Drawings are not to scale - they are to assist only.  
 WARNING: technical specifications and product sizes can be varied by the manufacturer without notice. Cutouts for appliances should only be by physical product measurements. The above information is indicative only.

