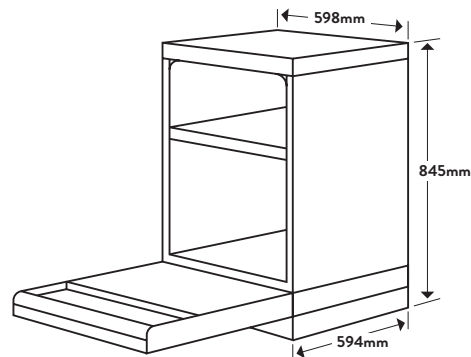




## Dimensions/Weight

Overall Dimensions (mm): 845(h) x 598(w) x 594(d)  
Weight: 47kg



## Technical Details

### Style

Oven Type:	Freestanding
Category Size:	60cm

### Functionality

Place Settings:	14
Wash Programs:	Intensive Heavy Normal 90 mins Rapid Prewash
Water Rating:	4.5 Stars
Energy Rating:	3.5 Stars
Wash Temperatures (°C):	40, 55, 60 and 65°C
Maximum Water Temperature (°C):	65°C
Floating Plug:	Yes
Lockable Controls:	Yes
Delayed Start:	Yes up to 24 hours
Dual Zone:	Yes
Aquastop Safety Hose:	No
Flexible Top Basket:	Yes
Cutlery Tray:	Yes (Split Level)
Plate Sizes Allowed:	Up to 30cm
Residual Heat Drying:	Yes

### Installation

Maximum Current:	10amps
Connection:	240V, 50Hz
Water Connection:	Cold Water Recommended
Length of Hose:	1.9m
Water Pressure:	40 - 1000kpa
Noise:	47dBA
Warranty:	24 Months Parts and Labour

## Customer Care

T: 1300 739 033 (AU)

E: [customercare@omegaappliances.com.au](mailto:customercare@omegaappliances.com.au)

09 415 6000 (NZ)

[customercare@monacocorp.co.nz](mailto:customercare@monacocorp.co.nz)

Updated 30/01/2020 - V1

## Aesthetics

Finish:	White
Controls:	Electronic Controls with LED Display

## Key Features



### Cutlery Tray

Keep your all cutlery neat and tidy during a wash cycle with a hardy tray.



### Flexible Basket

Every load is different. That's why we've designed a Flexible Basket option which allows you to adapt the interior and fit cutlery of all shapes and sizes - anywhere. Simply click the side levers on the top basket to lower it to accommodate things like tall glasses. Or, raise it to allow maximum space for frying pans or serving plates on the bottom drawer.

NB: Drawings are not to scale - they are to assist only.

WARNING: technical specifications and product sizes can be varied by the manufacturer without notice. Cutouts for appliances should only be by physical product measurements. The above information is indicative only.