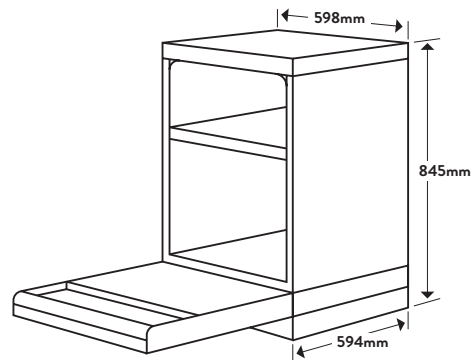




## Dimensions/Weight

Overall Dimensions (mm): 845(h) x 598(w) x 594(d)  
Weight: 47kg



## Technical Details

### Style

Oven Type: Freestanding  
Category Size: 60cm

### Functionality

Place Settings: 14  
Wash Programs: Intensive  
Heavy  
Normal  
90 mins  
Rapid  
Prewash  
Water Rating: 4.5 Stars  
Energy Rating: 3.5 Stars  
Wash Temperatures (°C): 5 - 40, 45, 55, 60 and 65°C  
Maximum Water Temperature (°C): 65°C  
Floating Plug: Yes  
Lockable Controls: Yes  
Delayed Start: Yes up to 24 hours  
Dual Zone: Yes  
AquaStop Safety Hose: Yes  
Flexible Top Basket: Yes  
Cutlery Tray: Yes  
Plate Sizes Allowed: Up to 30cm  
Residual Heat Drying: Yes

### Installation

Maximum Current: 10amps  
Connection: 240V, 50Hz  
Water Connection: Cold Water Recommended  
Length of hose: 1.5m  
Water Pressure: 40 - 1000kpa  
Noise: 45dBA  
Warranty: 24 Months Parts and Labour

## Customer Care

T: 1300 739 033 (AU) 09 415 6000 (NZ)  
E: [customercare@omegaappliances.com.au](mailto:customercare@omegaappliances.com.au) [customercare@monacocorp.co.nz](mailto:customercare@monacocorp.co.nz)

Updated 30/01/2020 - V1

## Aesthetics

Finish: Stainless Steel  
Controls: Electronic Controls with LED Display

## Key Features



### Cutlery Tray

Keep your all cutlery neat and tidy during a wash cycle with a hardy tray.



### Flexible Basket

Every load is different. That's why we've designed a Flexible Basket option which allows you to adapt the interior and fit cutlery of all shapes and sizes - anywhere. Simply click the side levers on the top basket to lower it to accommodate things like tall glasses. Or, raise it to allow maximum space for frying pans or serving plates on the bottom drawer.

NB: Drawings are not to scale - they are to assist only.  
WARNING: technical specifications and product sizes can be varied by the manufacturer without notice. Cutouts for appliances should only be by physical product measurements. The above information is indicative only.