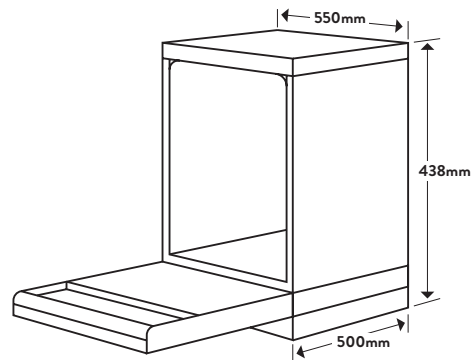




## Dimensions/Weight

Overall Dimensions (mm): 438(h) x 550(w) x 500(d)  
Weight: 22kg



## Technical Details

### Style

Oven Type:	Freestanding, Built-in or Benchtop
Category Size:	55cm

### Functionality

Place Settings:	6
Wash Programs:	Intensive Heavy Normal Rinse Rapid Soak
Water Rating:	3.5 Stars
Energy Rating:	2.5 Stars
Wash Temperatures (°C):	40-70°C
Maximum Water Temperature (°C):	70°C
Floating Plug:	Yes
Lockable Controls:	No
Delayed Start:	No
DualZone:	No
Aquastop Safety Hose:	No
Flexible Top Basket:	No
Half Load:	No
Cutlery Tray:	No
Plate sizes Allowed:	Up to 25cm
Residual Heat Drying:	Yes

### Installation

Maximum Current:	10amps
Connection:	240V, 50Hz
Water Connection:	Cold Water Recommended
Length of hose:	1.5m
Water Pressure:	40 - 1000kpa
Noise:	51dBA
Warranty:	24 Months Parts and Labour

## Aesthetics

Finish:	White
Controls:	Electronic

## Customer Care

T: 1300 739 033 (AU) 09 415 6000 (NZ)  
E: [customercare@omegaappliances.com.au](mailto:customercare@omegaappliances.com.au) [customercare@monacocorp.co.nz](mailto:customercare@monacocorp.co.nz)

Updated 30/01/2020 - V1

NB: Drawings are not to scale - they are to assist only.  
WARNING: technical specifications and product sizes can be varied by the manufacturer without notice. Cutouts for appliances should only be by physical product measurements. The above information is indicative only.