

Omega 60cm 4 burner gas cooktop with enamel trivets, electronic ignition and stainless steel finish.



Technical details

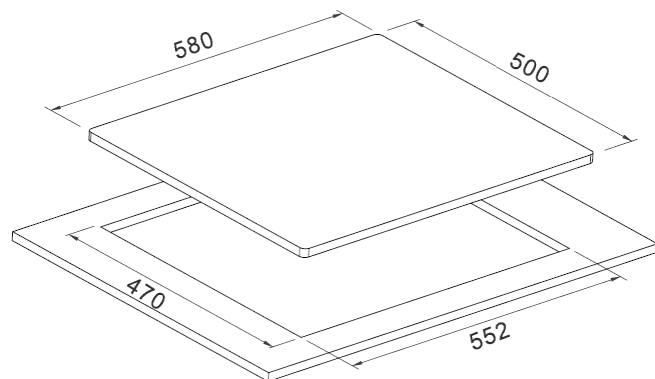
Type of cooktop: Gas
 Ignition: Electronic
 Burners: 4
 Gas type (natural/ULPG): Natural/ULPG
 ULPG adaptable: Yes
 Flame failure device: Yes
 Wok burner: Yes
 Fish burner: No
 Total power rating: 29.5 mj/hr over four burners
 Power: Front right: 4.5 mj/hr
 Front left: 13 mj/hr
 Rear right: 6 mj/hr
 Rear Left: 6 mj/hr

Maximum current: 10 amps
 Connection: 220-240v ~ 50-60Hz
 Installation: Flex and plug
 Warranty: 24 months parts and labour

Aesthetics

Finish: Stainless steel
 Type of controls: Knob
 Number of knob controls: 4
 Location of controls: Front right
 Material of trivets: Enamel trivets and burner caps

* Gas connection point is located rear left



Dimensions/weight

Overall dimensions (mm): 90h x 580w x 500d
 Cut-out dimensions (mm): 552w x 470d



FLAME FAILURE



WOK BURNER

Key features	Benefits
Flame failure	A flame failure device ensures gas cannot flow from the cooktop when no flame is present. No flame = no gas flow = a safer home.
Stainless steel finish	Stainless steel appliances are sleek and durable. They look great with other stainless steel appliances.
Wok burner	Wok burners provide high heat that is needed for effective wok cooking. Not only is it suitable for Asian cuisines it is also a powerful gas burner perfect for accelerating the cooking process.

NB: Drawings are not to scale - they are to assist only. WARNING: technical specifications and product sizes can be varied by the manufacturer without notice. Cut-outs for appliances should only be by physical product measurements. The above information is indicative only.