

omega

INSTALLATION, OPERATION
AND MAINTENANCE INSTRUCTIONS

Induction Cooktop

OCI64B

Thank you for introducing our family to yours

At Omega, we understand that cooking, cleaning and washing may not be your favourite things in the world. That's why we created a range of no-nonsense, reliable products that always get the job done for you. With the features you need and nothing you don't. What's more, they're made to fit perfectly into your home life and your wallet.

We aim to simplify any further appliance purchases. When researching our products you will find a range of icons that visually represent our products key features. Visit our website to learn more about these icons and the features and benefits of our products.

You are welcoming an Omega appliance into your place and you can be sure it'll always serve you well.

For important information about your Omega such as warranty registration, online manuals, specifications and catalogues, please visit www.omegaappliances.com.au/customer (if you are in Australia) or www.omegaappliances.co.nz/customer (if you are in New Zealand).

Make sure you activate your product warranty on our websites on the links above.

If you want to know more about promotions, to receive cool tips and tailor made content, like us on www.facebook.com/omegaappliances and follow us on www.instagram.com/omegaappliances_au.

We hope you love this product as much as we do!



www.omegaappliances.com.au / www.omegaappliances.co.nz



[omegaappliances](https://www.facebook.com/omegaappliances)



[omegaappliances_au](https://www.instagram.com/omegaappliances_au)

CONGRATULATIONS

Welcome to the Omega Kitchen Community and thank you for choosing one of our many fantastic cooking appliances. We are confident that you will now be able to meet your cooking needs. Before you use the cooktop we strongly recommend that you read through the whole user manual which provides the description of this product and the proper use of its functions.

To avoid the ever-present risks involved with using an electrical appliance it is vital that the appliance is installed correctly by an authorised person and that you read the safety instructions carefully to avoid misuse and hazards.

It is important that you retain these instructions and your proof of purchase along with any other important documents about this product for future reference. Due to continual product development, Omega reserves the right to alter specifications or appearances without notice.

CONTENTS

SECTION	PAGE NO.
Important Safety Instructions	4
Appliance Details	5
Electrical Connections	6
Installation	7-8
Operating Instructions	9-11
Cleaning	12

IMPORTANT SAFETY INSTRUCTIONS

IMPORTANT: Read the assembly instruction section and safety precautions of this booklet carefully before removing the contents of this carton.

1. This appliance is not intended for use by persons (including children) with reduced physical, sensory or mental capabilities, or lack of experience or knowledge, unless they have been given supervision or instruction concerning the use of the appliance by a person responsible for their safety. Children should be supervised to ensure that they do not play with the appliance.
2. After removing the packaging, make sure to check if there is any damage to the appliance. If there is any damage, never attempt to use the appliance and immediately contact your Authorised Service Centre. As packaging materials can be dangerous to children, they need to be collected immediately and put out of reach.
3. In certain circumstances electrical appliances may be a safety hazard. Check the conformity of voltage and power settings, which are specified on the information plate attached to the appliance and/or packaging, with the usage conditions available.
4. Do not place heavy objects in or on these appliances, use for storage or as a cutting surface as sharp edges can damage the surface. This appliance is designed for cooking food only. Use flat based, stable, inductive cooking rated cooking vessels only.
5. This appliance is designed for domestic household use only and for the cooking of domestic food products. Use as a commercial appliance will void the warranty. It should not to be used in a marine environment or outdoors and must be fully built in. Do not use the appliances until fully installed.
6. A means for disconnection must be incorporated in the fixed wiring in accordance with the wiring rules.
7. The electrical connection must be accessible after installation. The appliance must be electrically isolated before any maintenance can be performed.
8. The appliance is not intended to be operated by means of an external timer or separate remote control system.
9. Electrical connection must be made as per local wiring rules and regulations. Do not disconnect the appliance with wet hands or bare feet, and do not disconnect the power cord with extreme force.
10. Ensure that the kitchen is well ventilated or mechanical ventilation is in use while cooking on this appliance.
11. Do not store or use flammable materials or aerosols near the cooktop. Items made from aluminium, plastic, plastic film & sugar based foods should also be kept away from the appliance, as they may fuse to the surface.
12. **WARNING** – The surface temperature of this appliance exceeds 95°C. To avoid a hazard, under bench access must be restricted. A board must be installed underneath the cooktop. Heat from the underside of the unit will be expelled by inbuilt fans – do not block.
13. **WARNING** - The cooktop will become hot during and directly after use. Do not touch the surface during this time, as it may be hot and can cause burns. To avoid burns, children should be kept away.
14. Cleaning may only be commenced on the appliance once it has cooled down and is turned off. Failure to clean properly can damage the unit. Do not use a steam jet or any other high pressure cleaning equipment to clean the appliance.
15. When the appliance is not being used, turn the appliance off.
16. Where this appliance is installed in a caravan, it shall NOT be used as a space heater.
17. Do not modify this appliance.
18. Do not use harsh abrasive cleaners or sharp metal scrapers to clean the glass surface as they can scratch the surface, which may result in the glass shattering. Clean the glass using a warm damp cloth (e.g. dishcloth) and dry it with a soft dry tea towel.
19. All cabinetry and materials used in the installation must be able to withstand a minimum temperature of 50°C above the ambient temperature of the room it is located in, whilst in use. Certain types of vinyl or laminate kitchen furniture are particularly prone to heat damage or discolouration at temperatures below the guidelines given above. Any damage caused by the appliance being installed without adhering to the temperature limits set out above will be the liability of the owner. To avoid any hazards, limit access to the under-bench section of the cooktop.
20. The appliance must be installed and put into operation by an authorised technician under the conditions provided by the manufacturer in this manual. The manufacturer cannot be held responsible for any damage that might occur due to faulty installation.
21. Damage can occur to bench tops if pots and pans are allowed to overlap the bench top. This can result in heat being transferred to the bench top. Ensure that correct sized pots & pans are used. Pans should be lifted on and off the cooktop surface and not dragged. Cooking zones should not be switched on without cookware placed on it. Do not place empty cookware onto the cooking zones when in use.
22. If any cracking is noticed on the cooktop, turn the appliance off immediately and call your Authorised Service Centre.
23. Do not leave the cooktop while cooking with solid or liquid oils. There may be flaming up in conditions of extreme heating. Never pour water onto the flames occurring from oil. Immediately turn the cooktop off and cover the pan with a lid or fire blanket in order to smother the flame.
24. Users with pacemakers should keep their upper body at least 30cm away from any operational inductive cooking zone. If in doubt, please consult your doctor before use.
25. Do not place metal objects such as spoons or pan lids onto the cooktop as they may become hot or cause damage to the surface.
26. A small amount of noise will sometimes be heard as elements turn on & off during operation. This is normal & not a fault.

APPLIANCE DETAILS

ELECTRICAL DETAILS:

COOKTOPS:

Rated Voltage: Single phase 220-240Vac 50Hz, 3-phase 380-415Vac 50Hz
7400W

COOKTOP – Directly wired to mains supply

This information can be found on the rating plate (identification plate) affixed to the underside of the appliance.

SIZES:

Relevant Sizes:	LENGTH (mm)	WIDTH (mm)	HEIGHT (mm)
Cooktop Size	590	520	53
Cut-out Size	560	490	-

**Due to continual product development, Omega reserves the right to alter specifications or appearances without notice.
Dispose of packaging responsibly – recycle where facilities are available.**

ELECTRICAL CONNECTIONS



LOCAL AUTHORITY REQUIREMENTS

Installation is only permitted by a licensed electrician, and carried out according to instructions provided by the manufacturer. Incorrect installation might cause harm and damage, for which the manufacturer accepts no responsibility.

ELECTRICAL INSTALLATION

Before carrying out the connection to the power supply, the voltage rating of the appliance (stamped on the appliance identification plate) must be checked for correspondence to the available mains supply voltage, and the mains electric wiring should be capable of handling the oven's power rating (also indicated on the identification plate). If you have any doubts, call in a qualified technician.

NOTE: For connections to the mains power supply, never use adapters, reductions or multiple power points as these may overheat and catch fire. Do not install separate timers.

After having installed the appliance, the switched outlet must always be in an accessible position.

The electrical safety of this appliance can only be guaranteed if the cooktop is correctly and efficiently earthed, always ensure that the earthing is efficient; if you have any doubts call in a licensed electrician to check the system. The manufacturer declines all responsibility for damage resulting from an installation which has not been correctly earthed.

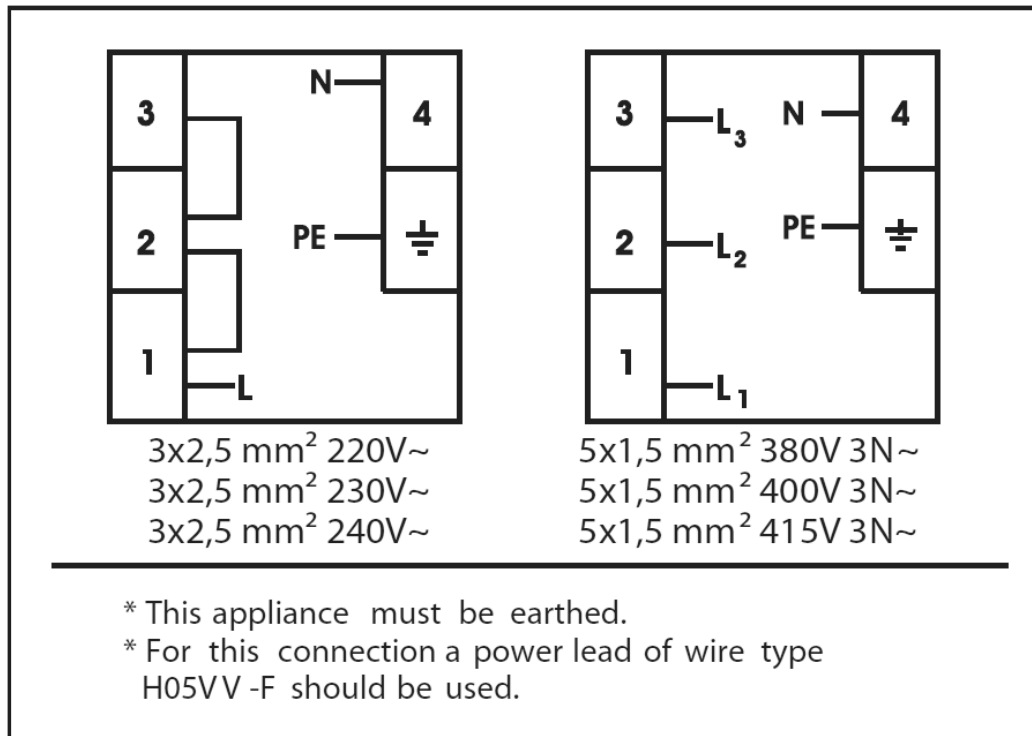
WARNING: If any damage occurs to the power cable during or after installation, it must be replaced immediately by a licensed electrician with a replacement cable from your Service Centre.

The cooktops are to be connected to a single phase 220-240Vac 50 Hz supply (leaving the connections between points 1-3 in place) or 3 phase 380-415Vac 50Hz supply (removing the connections between points 1-3). They are earthed via the cable.

The mains terminal block is located on the underside of the cooktop and the terminals are accessible by removing the terminal block cover by removing the cover screw. Connect the appliance as shown in the diagram to the right.

The appliance is designed for fixed connection to the mains. During installation, an all pole disconnecter should be included inside the supply circuit with a contact opening of at least 3mm (rated 32A, delay functioning type). The power supply cord must not touch against any hot surfaces and must be placed so that its temperature does not exceed 75 °C at any point along its length.

IMPORTANT: The appliance must NOT be connected to the mains supply by means of a 10A or 15A plug and socket.



INSTALLATION



The adjacent furniture must be able to withstand a minimum temperature rise of 50°C above the ambient temperature of the room it is located in, during periods of use. The power supply to the appliance must be cut off before any adjustments or maintenance work is done on it.

PREPARATION FOR INSTALLATION AND USE

Manufactured with best quality parts and materials, this modern, functional and practical cooktop will meet your needs in all respects. Make sure to read the manual to obtain successful results so as not to experience any problems in the future. The information given below contains rules that are necessary for correct positioning and service operations. They should be read without fail, especially by the technician who will position the appliance.

CHOOSING A LOCATION FOR THE APPLIANCE

There are several points to pay attention to when choosing a location for your cooktop. Make sure to take into account our recommendations below in order to prevent any problems and dangerous situations, which might occur later!

When choosing a location for the cooktop, attention should be paid that there are no flammable or combustible materials in the close vicinity, such as curtains, oil, cloth etc. which quickly catch fire.

Furniture surrounding the cooktop must be made of materials resistant to temperatures above 50 C°.

Required changes to wall cabinets and exhaust fans above a built-in cooktop as well as minimum heights from the oven board are shown in Figure 1. Accordingly, the exhaust fan should be at a minimum height of 65 cm from the cooktop. If there is no exhaust fan the height should not be less than 70 cm.

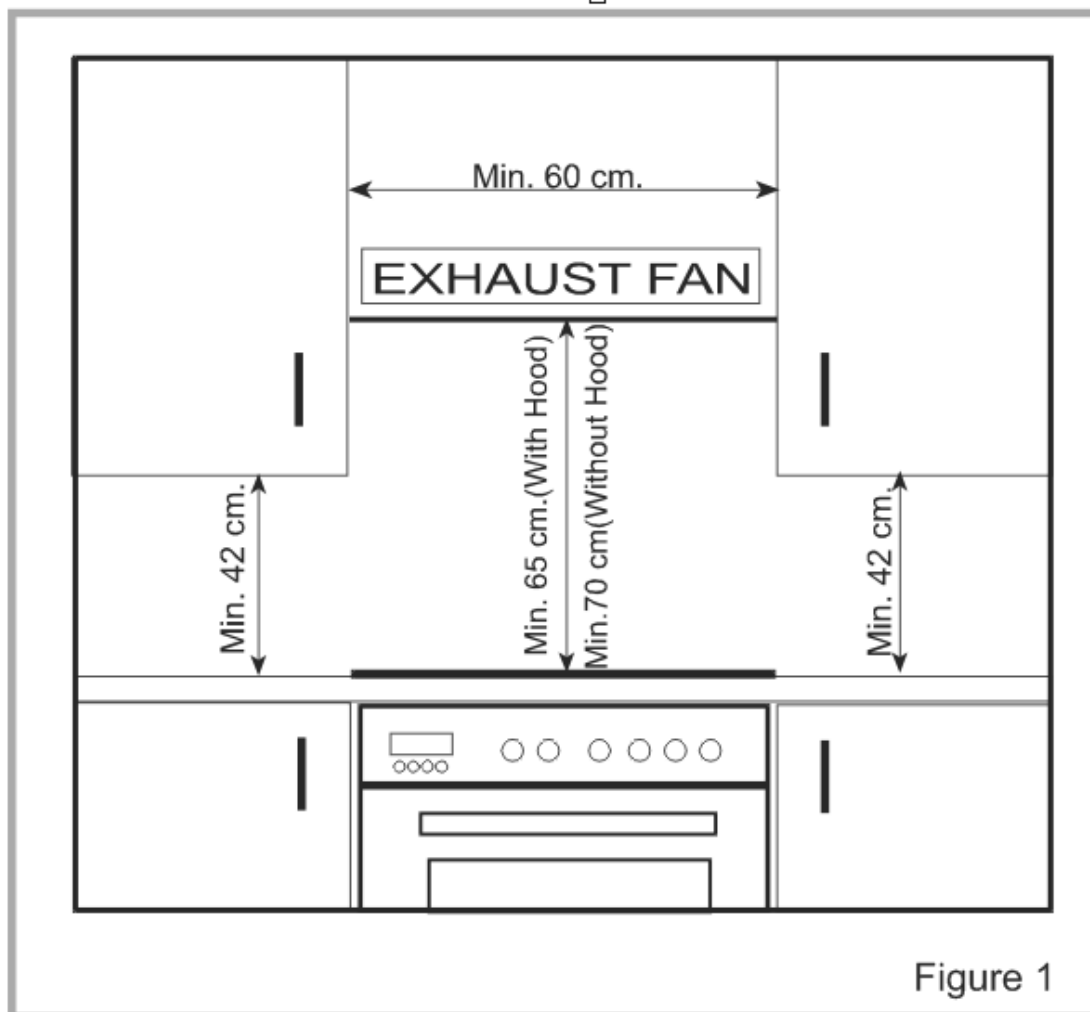


Figure 1

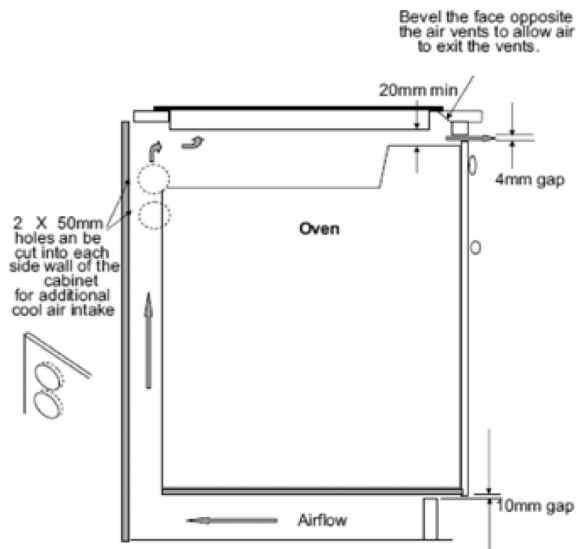
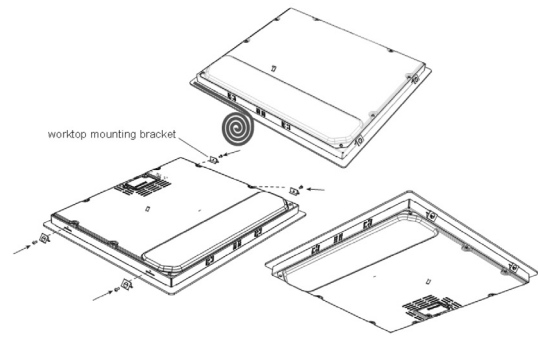
INSTALLATION OF BUILT IN COOKTOP

In order to prevent leakage of any liquids on the counter, a special sealing tape is supplied together with your cooktop. Apply this seal around the bottom edge of the cooktop (see below). The brackets are installed to hold the cooktop in place.

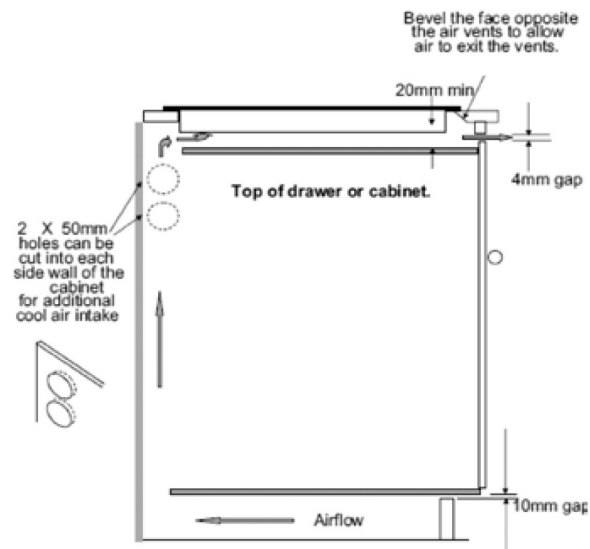
Cut out a hole in the bench top as shown below. Place the cooktop (controls to the front) in the hole and fix in position using the brackets.

These induction cooktops are fitted with cooling fans that draw fresh air from the rear of the unit and expel the warmed air through vents at the front. When installing your cooktop, the following ventilation requirements are essential:

- 4mm ventilation cut-out below the benchtop. The minimum length should be the same as the cooktop.
- 10mm ventilation cut-out in the base of the cabinet. Minimum length is the same as the cooktop.
- 20mm gap behind oven or drawers.
- 20mm gap between the cooktop base and the oven/cabinet top/drawer.
- Do not allow these gaps to be blocked at any time.



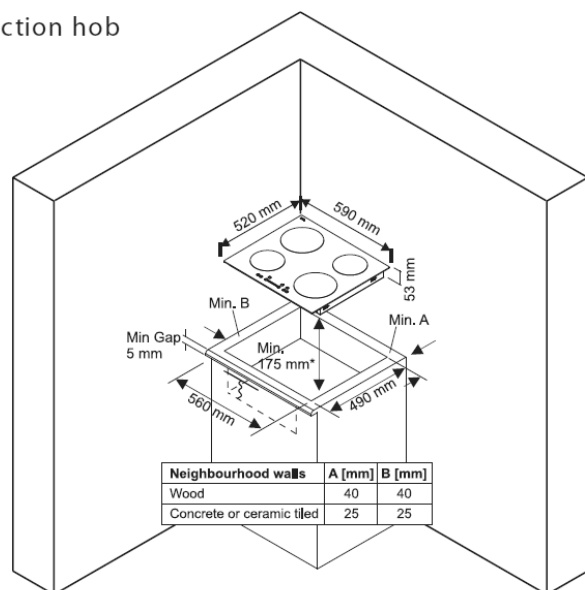
Minimum clearances and ventilation requirements for cooktops installed above an oven



Minimum clearances and ventilation requirements for cooktops installed above a cabinet or drawers

60cm induction hob

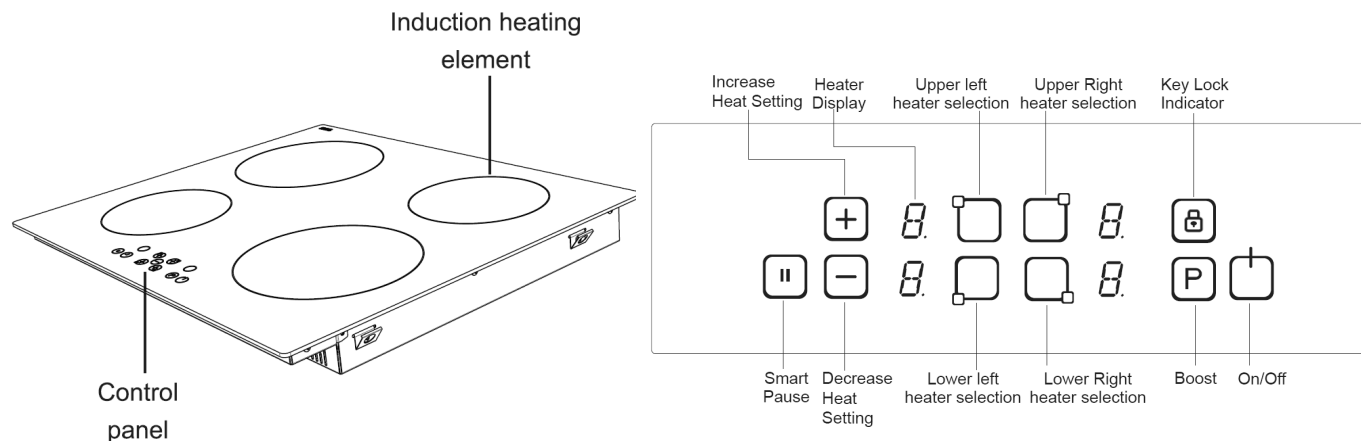
The bottom of the cooktop reaches temperatures above 95°C. A board must be placed a minimum of 130mm below the cooktop that prevents anyone from touching the underside of the cooktop. Take care that there is adequate ventilation for air exchange to the inductive elements.



* : In the case of installation over built in oven, distance should be min. 10 mm.

OPERATING INSTRUCTIONS

The basic layout of the induction cooktop is shown in the diagram below.



The induction cooktop appliance is operated by touching buttons, with the functions confirmed by LED displays and acoustic signals.

Turning On and Turning Off the Cooktop Appliance

NOTE: Do not operate the cooktop without first placing a suitably sized cooking vessel containing food on the appropriate cooking zone. Missing or incorrectly sized cookware will cause the “U” fault to be displayed on the Heat level display (cooking zone off). Turn off the cooking zone or replace cookware to continue cooking. If the appliance is in *Stand-By-Mode*, it is put into *Operating-Mode* by pressing the *On/Off* button for at least 1 second. A beep signal indicates the successful operation acoustically.

On all Heat Level Displays a ‘0’ will appear and all *Decimal Points* of the Heat Level displays will flash (1 second on, 1 second off).

If there is no operation within 20 seconds, all the Heat Level Displays will automatically turn off. If the displays are turned off, the hotplates will be re-set into *Stand-By-Mode*.

If *On/Off* is pressed for more than 2 seconds (in *Operating-Mode*), the appliance is switched off and is set into the *Stand-By-Mode* again. The appliance can be turned off by pressing *On/Off* at any time; even if other buttons are pressed simultaneously.

If there is a residual heat of a hotplate remaining, this will be indicated in the correspondent heat setting Heat Level Display as a red “H”.

Selecting A Cooking Zone

Select a single cooking zone by pressing the corresponding *Heater Selection Button*, and the *Decimal Point* of the chosen cooking zone turns on. For the selected cooking zone, you can set or adjust the heat level between 1-9 by touching the *Increase Heat Setting Button* or *Decrease Heat Setting Button*. All of the other cooking zone displays will have a visible ‘0’ or ‘H’ (if recently used) but they will not have a decimal point.

If left idle for more than 10 seconds, the decimal point on the chosen cooking zone display will turn off (the cooking zone is no longer selected). Press the *Heater Selection Button* again to select the cooking zone again. Other cooking zones can be selected without waiting for the previous one to become inactive.

The Heat Level Display works on a thermostat system. This means that the cooking zone will switch on and off in order to remain at the chosen Heat Level. **NOTE** the cooking zone will remain on for longer periods if a higher Heat Level is chosen, alternatively the cooking zone will be on less regularly on lower Heat Level Settings.

Turning Off Individual Cooking Zones

A particular cooking zone can be turned off in 2 different ways:

- Selecting the cooking zone & then simultaneously pressing the *Increase Heat Setting Button* and *Decrease Heat Setting Button*, after which a beep signal sounds and “0” appears in the Heat Level Display.
- Reduction of the heat setting to “0” by operating the *Decrease Heat Setting Button*. When this happens, the associated *Decimal Point* of the cooking zone will also be turned off. If there is residual heat from this hotplate remaining, a red ‘H’ will be shown in the Heat Level Display area.

The Boost Function

The *Boost* function is available at each cooking zone. It is used to speed up the initial heat up time (say boil a pot of water). Select a cooking zone and set the temperature. While the decimal point on the display is lit, press the *Boost* button. The display will alternate between “P” and the heat setting.

Note: The *Boost* function is not always available (depending on what else is being used), and if the power requirements are exceeded, the display will flash with an alternative setting for 3 seconds. Do not leave the appliance unattended while this function is active.

To disable the *Boost* function, press the *Heater Selection Button* for the cooking zone again (so the *Decimal Point* is lit) and adjust the temperature setting with *Increase Heat Setting Button* or *Decrease Heat Setting Button*. The display will no longer alternate between “P” and the heat setting.

Locking The Keys

The child lock is used to set the appliance up so when it is first turned on, it is in a locked mode (which must be unlocked before a cooking function can take place). While locked, touch modifications (e.g. increase heat settings) and others will not be possible. It is only possible to switch the appliance off.

Turn the appliance on, but do not activate any functions. Press the *Increase Heat Setting Button* and *Decrease Heat Setting Button* together, and then the *Increase Heat Setting Button* again. The display shows an “L” on all cooking zone displays (or alternating “H” & “L”) and will remain locked even if the unit is turned off & on.

To unlock the unit, press the *Increase Heat Setting Button* and *Decrease Heat Setting Button* together, and then the *Decrease Heat Setting Button* again. The “L” displays will switch back to the heat settings and will not be active when the unit is next turned on.

The *Key Lock button* can be used to stop access to any functions (except the *On/Off* function) while the cooktop is being used. Once the cooktop has been set up to cook, press the *Key Lock button* for 2 seconds until there is an audible alarm and the key lock symbol will be lit. Repeat the process to remove the key lock (the key lock symbol will no longer be lit). If the unit is turned off & on, the key lock will remain active.

The Smart Pause Function

This function reduces the power of all cooking zones for 30 minutes (at which point the appliance will turn off). Activate by pushing the *Smart Pause Button*. The displays will alternate between “ ” and their correct reading. Turn the function off by pressing the button a second time.

TOUCH CONTROL SAFETY FUNCTIONS

The following safety functions are available to avoid unintended operations of the cooktop control:

Hotplate Safety Cut Off

To prevent the appliance from unwanted, random button operation, a sensor monitoring is included. In the case of one or more buttons being pressed longer than 12 seconds, the sensor monitoring routine indicates acoustically that an “error” (pot or other object placed on the button, sensor failure, etc.) has occurred and switches off the appliance.

If residual heat is present, it will be displayed in all other Heat Level Displays with a red “H”.

Over Temperature Switch Off

Because the controls are very close to the hotplates on the front of the cooktop, it is possible that a pot can be placed half on the control and not sensed by the sensor safety cut off (not covering a sensor). This can cause the cooktop to heat up to a very high temperature, which makes the glass and the buttons untouchable without burning a finger.

To prevent the cooktop control unit from damage caused by overheating, a temperature sensor is available on the touch control unit which will turn the appliance off when overheating occurs.

Spill Function

The cooktop has a sensor that detects if liquids are spilled on the control panel. This shows up as a flashing “F” in each Heat level display (even when the unit is not operating). The easiest remedy is to clean/dry the control panel with a moistened cloth and leave for a minute to dry. If the display is not repeated it is safe to continue cooking.

Operating Time Limitation

The cooktop control has a limitation on the operating time. If the heat setting for a hotplate has not been changed for a certain time, then the hotplate will turn off automatically (a "0" is displayed for 10 seconds, then the residual heat sign "H" is displayed). The limit of the operating time depends on the selected heat setting.

Heat settings 1-2: 6 hours.

Heat settings 3-4: 5 hours.

Heat setting 5: 4 hours.

Heat settings 6-9: 1.5 hours.

After an automatic turn off of a hotplate (as described above) the hotplate is operable again and the maximum operating time for this heat setting is re-applied.

Residual Heat Functions

After all cooking processes there is some heat stored in the vitroceramic glass called residual heat. The control can calculate roughly how hot the glass is in the worst case. If the calculated temperature is higher than + 60 ° C, then this will be indicated in the corresponding Heat Level Display after the hotplate control has turned off with a red "H". The residual heat display is shown as long as the calculated heater temperature is > + 60 ° C.

The display of the residual heat has the lowest priority and is overwritten by every other display value, during safety turn offs and the display of an error code.

When the supply voltage is re-applied to the cooktop after an interruption to the supply voltage, the residual heat display flashes if the corresponding hotplate had a residual heat of greater + 60 ° C before the power interruption occurred. The display will flash until the maximum residual heat time has expired or the hotplate has been selected and activated.

CLEANING



NOTE: Cleaning and maintenance operations must only be carried out when the cooktop is cool (all residual heat indicators are off).

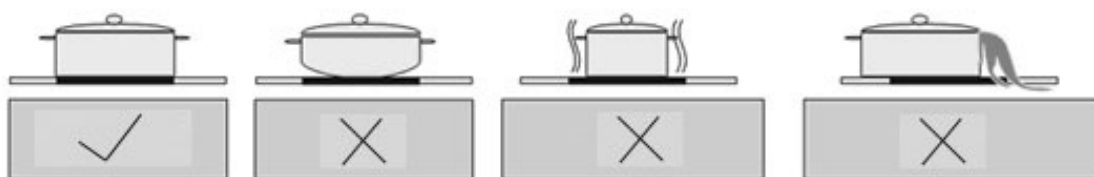
The appliance should be disconnected from the power outlet or turned off at your isolation switch before commencing any cleaning process.

Do not use plastic, plastic coated or aluminium cooking equipment on this appliance.

CLEANING THE COOKTOP

All cookware used on this appliance should be rated for induction cooking by the manufacturer. Cookware with rough bases should not be used as they can scratch the glass ceramic surface. The base of the good cookware should be as thick and flat as possible. Before use, make sure that cookware bases are clean and dry.

Always place the cookware on the cooking zone before it is switched on. If possible, always place the lids on the cookware. The base of any cookware used must not be smaller or larger than the cooking zones; they should be the proper size as indicated below, so as not to waste energy. If incorrectly placed, the U symbol will be displayed.



Before cleaning the cooktop, first isolate the cooktop from the power. Once done, ensure that there is no residual heat stored in the appliance. Vitroceramic glass is very resistant to high temperature and overheating. If there is residual heat stored in the appliance, the related residual heat indicator lamp will be on. In order to avoid burns, let the appliance cool down.

Remove all spilt food and fat with a clean damp, warm, slightly soapy, dishcloth. Rinse cloth and wipe cooktop again until clean, then wipe the cooktop dry with a clean tea towel or dry soft cloth.

If aluminium foil or plastic items are accidentally melted on the vitroceramic surface, they should be immediately removed from the hot cooking area with a scraper specifically for vitroceramic glass. This will avoid any possible damage to the surface. This also applies to sugar or food containing sugar that may be spilled on the cooktop. Enamelled steel, aluminium & copper will leave a residue on the surface that should be removed immediately or permanent damage may occur.

In the event of other food melted on the cooktop surface, remove the dirt when the appliance has cooled down. Use cleaner for glass ceramic or stainless steel when cleaning the surface.

Do not use abrasive sponges to clean the vitroceramic surface. These materials may damage the surface.

Do not use chemical detergents, sprays or spot removers on the vitroceramic surface. These materials may cause fire or the vitroceramic colour to fade. Clean with a damp, warm, slightly soapy, dishcloth.

WARNING: Using cookware that is too large can cause discolouration or damage to the cooktop surface around the heat zones, which is **NOT** covered under warranty.

A division of Shiro Australia Pty Ltd
104 Vanessa St Kingsgrove NSW 2208
IN AUSTRALIA: 1300 795 572
IN NEW ZEALAND: (09) 415 6000
www.omegaappliances.com.au

IM REF OCI64B 12/2017/05FC

FOR INDOOR USE ONLY