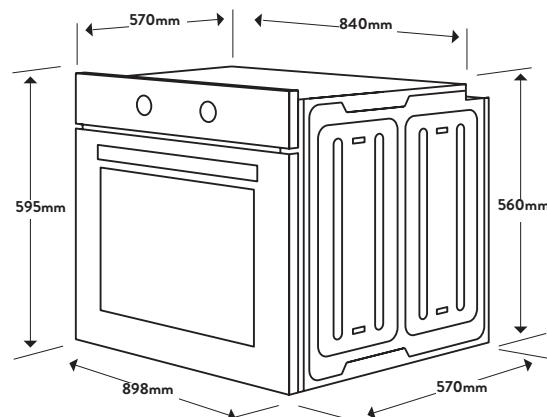




Dimensions/Weight

Overall Dimensions (mm): 595(h) x 898(w) x 570(d)
 Cutout Dimensions (mm): 600(h) x 900(w)
 Weight: 61kg



Technical Details

Style

Oven Type: Standard
 Category Size: 90cm
 Capacity: 129 Litres

Functionality

Oven Functions: Fan Forced
 Grill
 Grill with Fan Assist
 Top Element
 Conventional
 Conventional with Fan Assist
 Steam Clean
 Light
 Defrost
 Maximum Temperature: 250°C
 Clock: Yes
 Timer: Fully Programmable
 Number of Shelf Positions: 4
 Interior Light: Yes

Features & Accessories

Accessories: 1 x Chrome Wire Shelf
 1 x Shallow Baking Tray
 1 x Grill Insert
 Easy View Door: Yes

Installation

Maximum Current: 15amps
 Connection: 240V, 50Hz
 Installation Type: Built-In
 Made In: Europe
 Warranty: 48 Months Parts & Labour

Customer Care




T: 1300 739 033 (AU) 09 415 6000 (NZ)
 E: customercare@omegaappliances.com.au customercare@monacocorp.co.nz

Updated 30/01/2020 - V1

Aesthetics

Finish: Black Glass with Stainless Steel Trim
 Controls: Knob & Touch Control
 Door: Top Opening, Triple Glazed

Key Features

- 
129L Capacity
 At 129 litres, this large capacity oven will accommodate even the biggest of meals.
- 
Programmable Timer
 Get precision and have your meal ready to go at your predefined finish time. Great for those who like to set and forget, knowing your cooking won't get burnt.
- 
Multifunction
 Multifunction ovens enable you to cook with a combination of heat from the top and bottom elements. This offers more versatility, control and better results when cooking a variety of dishes.

NB: Drawings are not to scale - they are to assist only.
 WARNING: technical specifications and product sizes can be varied by the manufacturer without notice. Cutouts for appliances should only be by physical product measurements. The above information is indicative only.