

The Omega logo is rendered in a bold, lowercase, sans-serif font. The letter 'o' is distinguished by a horizontal line passing through its center. The background of the page features a large, light gray circular graphic that is partially cut off by the right edge.

Instruction Manual

BUILT-IN MICROWAVE OVEN

OMW34B

Thank you for purchasing an Omega appliance

Tailored for the modern aesthetic and lifestyle of busy people, your new Omega Appliance will make a welcome addition to the family.

Omega caters to style-savvy customers who look for balance between stunning form and clever function. This means a combination of sleek, chic, sophisticated design yet effortless functionality.

And we source from the best. The best craftsmanship. The best innovation. From the best international design-houses.

All brought together under an appliance that stands for design-led balance.

Please take the time to read through the following instruction manual to familiarise yourself with the installation, operation requirements and maintenance to ensure optimum performance.

Further Information

For important information about your Omega Appliance such as warranty registration, manuals, features, and specifications please visit omegaappliances.co.nz (if you are in New Zealand) or contact our Customer Care team on the below email or phone numbers.

Contact Us

Our customer service team is here to help you with any questions or concerns.

They are on call Monday to Friday from 8.30am to 5.00pm and of course you can always send an email at your convenience.

Email: customercare@monacocorp.co.nz

Phone: 09 415 6000

omega

omegaappliances.co.nz

READ THE INSTRUCTION BOOKLET BEFORE INSTALLING AND USING THE APPLIANCE.

It is important that you retain these instructions, proof of purchase as well as other important documents about this product for future reference.

The manufacturer will not be responsible for any damage to property or to persons caused by incorrect installation or improper use of the appliance.

Due to continual product development, Omega reserves the right to alter specifications and appearances without notice.

Contents

Important Safety Warnings.....	1
Appliance Details	3
Installation Instructions.....	5
Operating Instructions	6
Cleaning and Maintenance	11
Troubleshooting.....	12
Transport.....	12
New Zealand Product Warranty Statements of Standard Warranty Conditions.....	13

Disposal Information

- Most of the packaging materials are recyclable. Please dispose of these materials through your local recycling depot or by placing them into appropriate collection containers.
- If you wish to discard this product, please contact your local authorities and ask for the correct method of disposal.

Important Safety Warnings

PRECAUTIONS TO AVOID POSSIBLE EXPOSURE TO EXCESSIVE MICROWAVE ENERGY

- Do not attempt to operate this microwave oven with the door open since this can result in harmful exposure to microwave energy. It is important not to break or tamper with the safety interlocks.
- Do not place any object between the microwave oven front face and the door or allow soil or cleaner residue to accumulate on sealing surfaces.
- **WARNING:** If the door or door seals are damaged, the microwave oven must not be operated until it has been repaired by a trained person.

IMPORTANT: If the apparatus is not maintained in a good state of cleanliness, its surface could be degraded and affect the lifespan of the apparatus and lead to a dangerous situation.

1. **WARNING:** Liquids and other foods must not be heated in sealed containers since they are liable to explode.
2. **WARNING:** It is hazardous for anyone other than a trained person to carry out any service or repair operation that involves the removal of a cover which gives protection against exposure to microwave energy.
3. The appliance is not intended for use by persons (including children) with reduced physical, sensory or mental capabilities, or lack of experience and knowledge, unless they have been given supervised or instruction concerning use of the appliance by a responsible person for their safety.
4. Keep the appliance and its cord out of reach of children.
5. Only use utensils suitable for use in microwave ovens.
6. The microwave oven should be cleaned regularly, and any food deposits should be removed.
7. When heating food in plastic or paper containers, keep an eye on the microwave oven due to the possibility of ignition.
8. If smoke is observed, switch off or unplug the appliance and keep the door closed in order to stifle any flames.
9. Do not overcook food.
10. Do not use the microwave oven cavity for storage purposes. Do not store items, such as bread, cookies, etc. inside the microwave oven.
11. Remove wire twist-ties and metal handles from paper or plastic containers/bags before placing them in the microwave oven.
12. Install or locate this appliance only in accordance with the installation instructions provided.
13. Eggs in the shell and whole hard-boiled eggs should not be heated in microwave ovens since they may explode, even after microwave heating has ended.
14. This appliance is intended to be used in household and similar applications such as:
 - staff kitchen areas in shops, offices and other working environments;
 - by clients in hotels, motels and other residential type environments;
 - farm houses;
 - bed and breakfast type environments.
15. If the supply cord is damaged, it must be replaced by the manufacturer, its service agent or similarly qualified persons in order to avoid a hazard.
16. Do not store or use this appliance outdoors.
17. Do not use this microwave oven near water, in a wet basement or near a swimming pool.
18. The temperature of accessible surfaces may be high when the appliance is operating. The surfaces are liable to get hot during use. Keep cord away from heated surface, and do not cover any vents on the microwave oven.

Important Safety Warnings

19. Metallic containers for food and beverages are not allowed during microwave cooking.
20. Do not let cord hang over edge of table or counter.
21. Failure to maintain the microwave oven in a clean condition could lead to deterioration of the surface that could adversely affect the life of the appliance and possibly result in a hazardous situation.
22. The contents of feeding bottles and baby food jars shall be stirred or shaken and the temperature checked before consumption, in order to avoid burns.
23. Microwave heating of beverages can result in delayed eruptive boiling; therefore, care must be taken when handling the container.
24. Young children should be supervised to ensure that they do not play with the appliance.
25. The appliances are not intended to be operated by means of an external timer or separate remote-control system.
26. Accessible parts may become hot during use. Young children should be kept away.
27. A steam cleaner is not to be used.
28. During use the appliance becomes hot. Care should be taken to avoid touching heating elements inside the microwave oven.
29. Only use the temperature probe recommended for this microwave oven (for microwave ovens provided with a facility to use a temperature-sensing probe.)
30. **WARNING:** If the door or door seals are damaged, the microwave oven must not be operated until it has been repaired by a competent person.
31. **WARNING:** It is hazardous for anyone other than a competent person to carry out any service or repair operation which involves the removal of a cover which gives protection against exposure to microwave energy.
32. The rear surface of appliance shall be placed against a wall.
33. **WARNING:** liquids and other foods must not be heated in sealed containers since they are liable to explode.
34. **WARNING:** Only allow children to use the microwave oven without supervision when adequate instructions have been given so that the child is able to use the microwave oven in a safe way and understands the hazards of improper use.
35. The microwave oven is intended for heating food and beverages. Drying of food or clothing and heating of warming pads, slippers, sponges, damp cloths and similar may lead to the risk of injury, ignition or fire.
36. The appliance must not be installed behind a decorative door in order to avoid overheating.
37. This microwave oven shall only be used when built into a cabinet.
38. The socket must be installed or replaced by a qualified electrician. If the plug is no longer accessible following installation, an all-pole disconnection device must be present on the installation side with a contact gap of at least 3mm.

Appliance Details

Electrical details

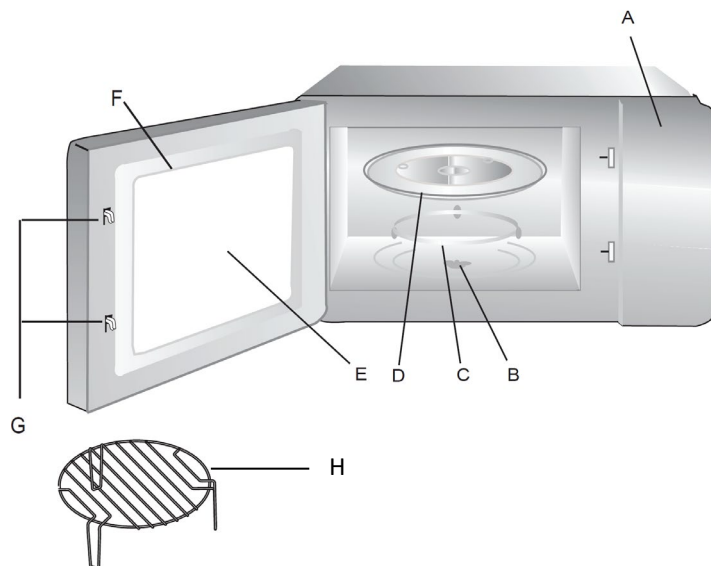
Model	OMW34B
Voltage Rating	230 – 240V ~50Hz
Rated Input Power:	1550W
Rated Output Power (Microwave):	1000W
Rated Output Power (Grill):	1100W
Microwave Oven Capacity	34L
Glass Turntable Diameter:	Ø 315mm
External Dimensions (WxDxH)	595x407.5x388mm

Microwave oven parts and accessories

Remove the microwave oven and all packaging materials from the carton. The microwave oven is supplied with the following accessories:

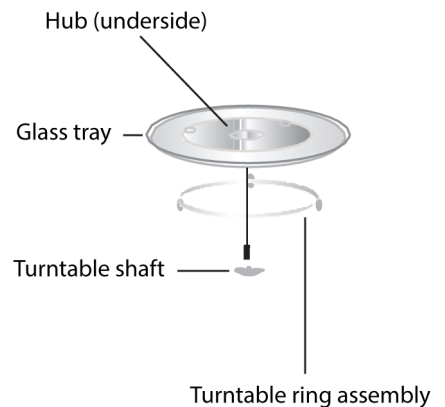
- Glass turntable
- Turntable ring assembly
- Grill rack

- A. Control panel
- B. Turntable shaft
- C. Turntable ring assembly
- D. Glass turntable
- E. Observation window
- F. Door assembly
- G. Safety interlock system
- H. Grill rack (only to be used in grill function and on the glass turntable)



Glass Turntable

- Never place the glass turntable upside down. Ensure it is free to rotate.
- Always use both the glass turntable and turntable ring assembly during cooking.
- All food and food containers must be placed on the glass tray when cooking.
- If the turntable ring assembly becomes cracked or broken, contact your nearest authorized service centre.



Materials suitable for use in the microwave oven

Some non-metallic utensils may not be safe for microwave use. If you are uncertain, you can test the utensil by following the steps below:

1. Place the utensil in a microwave-safe container filled with 1 cup (250 ml) of cold water.
2. Heat on maximum power for 1 minute.
3. Carefully check the utensil. If it becomes warm or hot, it is not suitable for microwave cooking.
4. Do not exceed 1 minute of heating during this test.

Browning dish	Follow manufacturer's instructions. The bottom of browning dish must be at least (5mm) above the turntable. Incorrect usage may cause the turntable to break.
Dinnerware	Microwave-safe only. Follow manufacturer's instructions. Do not use cracked or chipped dishes.
Glass Jars	Always remove the lid. Use only to heat food until just warm. Most glass jars are not heat resistant and may break.
Glassware	Use only heat-resistant microwave oven glassware. Ensure there is no metallic trim. Do not use cracked or chipped dishes.
Microwave oven cooking bags	Follow the manufacturer's instructions. Do not close with metal ties. Make slits to allow steam to escape.
Paper plates and cups	Use for short-term cooking or warming only. Do not leave the microwave oven unattended.
Paper towels	Use to cover food for reheating or to absorb fat. Use only under supervision and for short-term cooking.
Parchment paper	Use as a cover to prevent splattering or as a wrap for steaming.
Plastic	Use only microwave-safe plastics. Follow the manufacturer's instructions. Containers should be labeled "Microwave Safe." Some plastics may soften as the food inside heats. "Boiling bags" and tightly closed plastic bags should be slit, pierced, or vented as directed by the package.
Plastic wrap	Use only microwave-safe plastic wrap. Cover food during cooking to retain moisture. Do not allow the wrap to touch food.
Thermometers	Use only microwave-safe thermometers (e.g., meat and candy thermometers).
Wax paper	Use as a cover to prevent splattering and to retain moisture.

Materials not suitable for use in the microwave oven

Aluminium tray	May cause arcing. Transfer food into a microwave-safe dish.
Food carton with metal handles	May cause arcing. Transfer food into a microwave-safe dish.
Metal or metal-trimmed utensils	Metal blocks microwave energy from reaching the food. Metal trim may also cause arcing.
Metal twist ties	May cause arcing and could start a fire in the microwave oven.
Paper bags	May catch fire in the microwave oven.
Plastic foam	May melt or contaminate food when exposed to high temperatures.
Wood	May dry out and could split or crack when used in the microwave oven.

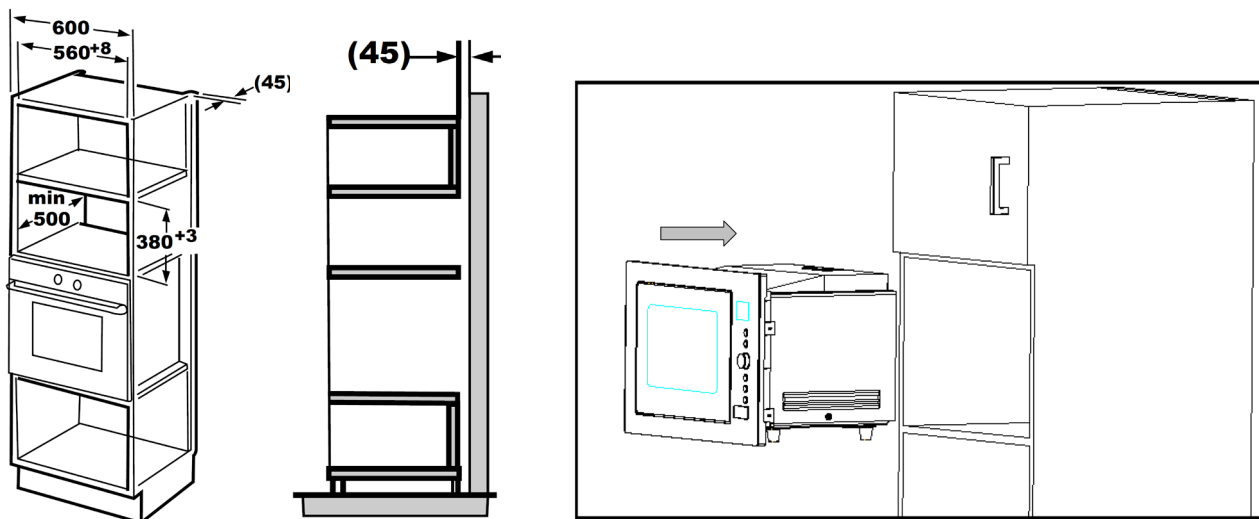
Installation Instructions

- **WARNING:** Do not install the microwave oven above a cooktop or any other heat-producing appliance. Installation near or above a heat source may damage the microwave oven and void the warranty.
- This appliance is intended for built-in installation only. It is not suitable for benchtop use or installation inside a cupboard.
- The built-in cabinet shall not have a rear wall behind the appliance.
- The appliance needs to be installed in a wall-mounted cabinet 60cm wide, and 85cm from the floor.
- If the appliance is installed at a height of 90cm or more above the floor, care should be taken not to displace the turntable when removing containers.
- The appliance is supplied with a 3-pin plug and must be connected only to a properly installed, earthed socket.
- The mains voltage must match the voltage indicated on the rating plate.



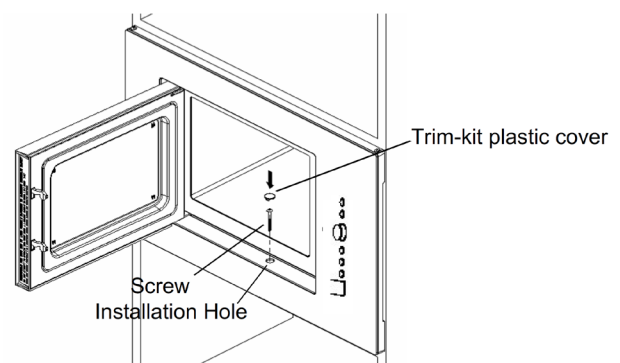
The accessible surface may be hot during operation.

Built-In dimensions



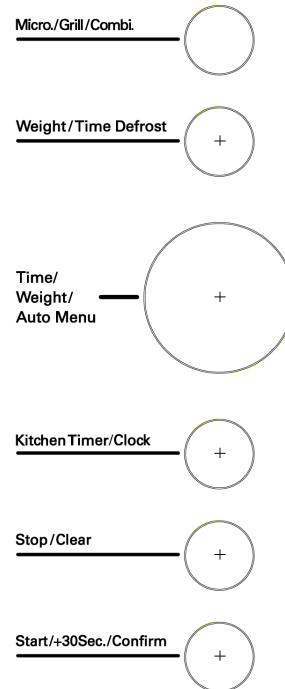
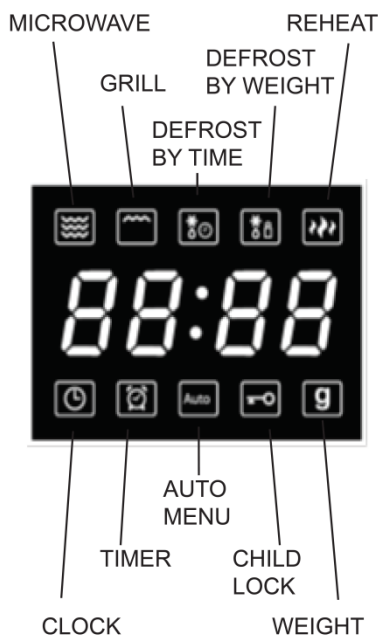
Installation

- Do not trap, bend, or kink the power cord.
- Ensure that the microwave oven is installed in the centre of the cabinet.
- Open the microwave oven door. Secure the microwave oven to the cabinet by inserting a screw through the installation hole at the front of the trim kit.
- Once the microwave oven is properly secured, attach the trim-kit plastic cover to the installation hole.



Operating Instructions



Control panel



Note: Pressing the button “**Stop/Clear**” will stop any ongoing cooking process or cancel any function currently being set. The **door release button** is located at the bottom of the control panel.

Setting the clock

When the microwave oven is powered on, the display will show “0:00” and the buzzer will sound once.



1. Press the button “**Kitchen Timer/Clock**” once. “00:00” will appear on the display.
2. Turn the knob “**Time/Weight/Auto Menu**” “” to set the hour (0–23, 24-hour format).
3. Press the button “**Kitchen Timer/Clock**” again. The minute digits will flash.
4. Turn the knob “” to set the minutes (0–59).
5. Press the button “**Kitchen Timer/Clock**” to confirm. The colon “:” will flash, indicating the clock is running.

Note:


- If the clock is not set, the appliance will not operate when powered on.
- During clock setting, pressing the button “**Stop/Clear**” will cancel the operation and return the microwave oven to the previous status.

Operating Instructions

Microwave cooking

1. Press the button “**Micro/Grill/Combi**”; the display will show “**P100**”.
2. Press the button “**Micro/Grill/Combi**” again or turn the knob  to select the desired power level: P100, P80, P50, P30, or P10.
3. Press the button “**Start/+30Sec./Confirm**” to confirm the power level,
4. Turn the knob  to set the cooking time (from 0:05 to 95:00).
5. Press the button “**Start/+30Sec./Confirm**” again to start cooking.



Example: To cook at 80% microwave power for 20 minutes:

1. Press the button “Micro/Grill/Combi” once; the display shows “P100”.
2. Press the button “Micro/Grill/Combi” again or turn the knob to select P80.
3. Press the button “Start/+30Sec./Confirm” to confirm the power level; the display shows “P80”.
4. Turn the knob  until the display shows “20:00”.
5. Press the button “Start/+30Sec./Confirm” to start cooking.

NOTE: The time adjustment intervals for the control knob are as follows:

0 – 1 min	adjustable in 5-second steps
1 – 5 min	adjustable in 10-second steps
5 – 10 min	adjustable in 30-second steps
10 – 30 min	adjustable in 1-minute steps
30 – 95 min	adjustable in 5-minute steps

Grill or combi cooking


1. Press the button “**Micro/Grill/Combi**”; the display will show “**P100**”.
2. Press the button “**Micro/Grill/Combi**” again or turn the knob  to select the desired mode: “G-1” (Grill), “C-1” (Combi 1), or “C-2” (Combi 2).
3. Press the button “**Start/+30Sec./Confirm**” to confirm your selection.
4. Turn the knob  to set the cooking time (from 0:05 to 95:00).
5. Press the button “**Start/+30Sec./Confirm**” again to start cooking.

Microwave/Grill/Combi Power Chart

Order	1	2	3	4	5	6	7	8
Display	P100	P80	P50	P30	P10	G-1	C-1	C-2
Microwave Power	100%	80%	50%	30%	10%	0%	55%	36%
Grill Power	0%	0%	0%	0%	0%	100%	45%	64%


Operating Instructions

Example: To use the grill function for 10 minutes:


1. Press the button "**Micro/Grill/Combi**" until the display shows "G-1".
2. Press the button "**Start/+30Sec./Confirm**" to confirm.
3. Turn the knob  to set the cooking time until the display shows "10:00".
4. Press the button "**Start/+30Sec./Confirm**" again to start cooking.

Note: Halfway through the cooking time, the microwave oven will beep twice. This is normal and indicates that the food should be turned over. Open the door, turn the food, and close the door. If no button is pressed, cooking will automatically continue.


Quick start

1. When the microwave oven is in standby mode, press the button "**Start/+30Sec./Confirm**" to cook at 100% power for 30 seconds. Each additional press adds 30 seconds, up to a maximum of 95 minutes.
2. In microwave, grill, and combination modes, press the button "**Start/+30Sec./Confirm**" to cook at 100% power for 30 seconds. Each additional press adds 30 seconds to the cooking time.
3. Alternatively, when the microwave oven is in standby mode, turn the knob  anticlockwise to set the desired cooking time at 100% power, then press the button "**Start/+30Sec./Confirm**" to start cooking.

Defrost by weight


1. Press the button "**Weight/Time Defrost**" once. The display will show "dEF1".
2. Turn the knob  to set the food weight (100 g – 2 kg).
3. Press the button "**Start/+30Sec./Confirm**" to start defrosting.

Defrost by time

1. Press the button "**Weight/Time Defrost**" twice. The display will show "dEF2".
2. Turn the knob  to set the defrosting time (up to 95 minutes).
3. Press the button "**Start/+30Sec./Confirm**" to start defrosting.

Kitchen timer



The kitchen timer functions as a reminder and does not affect the cooking process.

1. Press the button "**Kitchen Timer/Clock**" once. The display will show "00:00".
2. Turn the knob  to set the desired time (up to 95 minutes).
3. Press the button "**Start/+30Sec./Confirm**" to confirm.
4. When the set time elapses, the buzzer will sound five times, and the display will return to the current time.

Operating Instructions

Auto menu

The Auto Menu offers a selection of preset cooking programs for commonly cooked foods.

1. Turn the knob “” clockwise to select a program from A1–A10.
2. Press the button “**Start/+30Sec./Confirm**” to confirm.
3. Turn the knob “” to select the default weight (refer to the chart below).
4. Press the button “**Start/+30Sec./Confirm**” again to start cooking.

Example: To cook 350g of fish using the auto menu:

1. Turn the knob clockwise until “A2” is displayed.
2. Press the button “**START/+30Sec./Confirm**” to confirm.
3. Turn the knob until “350” is displayed.
4. Press the button “**START/+30Sec./Confirm**” again to start cooking.




Menu	Weight(g)	Display
A1 Vegetable	150g	150
	350g	350
	500g	500
A2 Fish	150g	150
	250g	250
	350g	350
	450g	450
	650g	650
A3 Meat	150g	150
	300g	300
	450g	450
	600g	600
A4 Pasta	50g (with 450ml of cold water)	50
	100g (with 800ml of cold water)	100
	150g (with 1200ml of cold water)	150
A5 Potato	1 (~ 230g)	1
	2 (~ 460g)	2
	3 (~ 690g)	3
A6 Soup	200ml	200
	400ml	400
	600ml	600
A7 Popcorn	50g	50
	100g	100
A8 Chicken Pieces	200g	200
	400g	400
	600g	600
A9 Beverage	1 cup (120ml)	1
	2 cups (240ml)	2
	3 cups (360ml)	3
A10 Pizza	200g	200
	300g	300
	400g	400

Operating Instructions

Multi-stage cooking

Up to 2 stages can be set. If defrost is selected, it will always be the first stage.


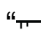
Example: Defrost for 5 minutes, then cook at 80% microwave power for 7 minutes:

1. Press the button **“Weight/Time Defrost”** twice; the display will show **“dEF2”**.
2. Turn the knob “” to set the defrost time to 5:00.
3. Press the button **“Micro/Grill/Combi”** once; the display will show **“P100”**.
4. Press the button **“Micro/Grill/Combi”** again or turn the knob “” to select 80% power.
5. Press the button **“Start/+30Sec./Confirm”** to confirm; the display will show **“P80”**.
6. Turn the knob “” to set the cooking time to 7:00.
7. Press the button **“Start/+30Sec./Confirm”** to start cooking.
 - The buzzer will sound once at the start of the first stage (defrost).
 - The buzzer will sound once again when the second stage begins.
 - When cooking finishes, the buzzer will sound 5 times.

Inquiry function

- Press the button **“Kitchen Timer/Clock”** during cooking to see the current time (displayed for 2–3 seconds).
- Press the button **“Micro/Grill/Combi”** during cooking to see the current power level (displayed for 2–3 seconds).

Child lock

- **Lock:** In standby mode, press the button **“Stop/Clear”** for 3 seconds. A long beep will sound, indicating that the child lock is activated, and the “” indicator will light. The LED will display the current time or 0:00.
- **Unlock:** While in the locked state, press the button **“Stop/Clear”** for 3 seconds. A long beep will sound, indicating that the lock is released, and the “” indicator will turn off.

Cleaning and Maintenance

IMPORTANT: Always unplug the appliance before cleaning.

- Wipe the microwave oven cavity with a slightly damp cloth after use.
- Clean the accessories in the usual way in soapy water.
- Carefully clean the door frame, seal, and surrounding areas with a damp cloth when dirty.
- Do not use harsh abrasive cleaners or sharp metal scrapers on the microwave oven door glass as this may scratch the surface and cause the glass to shatter.
- Cleaning Tip – Easier cleaning of food-contact cavity walls:
 1. Place half a lemon in a bowl, add 300ml of water and heat on 100% microwave power for 10 minutes.
 2. Wipe the microwave oven clean with a soft, dry cloth.

Troubleshooting

If there is a problem, check the chart below to see if you can fix it. If the problem cannot be fixed or persists, call your authorised repairer or our customer service.

Normal Operation Notes	
Interference with TV or radio reception	While the microwave oven is operating, radio or TV reception may be affected. This is similar to the interference caused by other small electrical appliances, such as mixers, vacuum cleaners, or electric fans.
Dim microwave oven light	The microwave oven light may appear dim when the microwave operates at low power settings.
Steam accumulation and hot air release	During cooking, steam may be released from food. Most of the steam escapes through the vents, while some may condense on cooler surfaces, such as the microwave oven door.
Microwave oven started accidentally with no food inside	Never operate the microwave oven without food inside, as this can be very dangerous.

Trouble	Possible Cause	Possible Solution
Microwave oven cannot be started.	Power cord not properly plugged in	Unplug and plug in securely.
	Fuse blown or circuit breaker tripped	Replace fuse or reset circuit breaker.
	Problem with the power outlet	Test the outlet with another electrical appliance.
Microwave oven does not heat.	Door not closed properly	Close door completely.
Glass turntable makes noise during operating.	Turntable ring or microwave oven bottom is dirty.	See to "Cleaning and Maintenance" for details on cleaning dirty parts.

Transport

If you need to transport the product, use the original product packaging and carry it using its original case. Follow the transport signs on the packaging. Tape all independent parts to the product to prevent damaging the product during transport.

If you do not have the original packaging, prepare a carriage box so that the appliance, especially the external surfaces of the product, is protected against external threats.

New Zealand Product Warranty Statements of Standard Warranty Conditions

New Zealand Customers

Nothing herein contained shall be construed in any way as excluding or limiting your rights under the Consumer Guarantee Act 1993.

Our Warranty

This product is also covered by the manufacturer's warranty set out in this document (Our Warranty).

Our Warranty is for a period of forty-eight (48) months from the date of purchase. This is in addition to (and does not exclude, restrict or modify) any rights or remedies to which you may already be entitled under the New Zealand Consumer Guarantee Act 1993 relating to this product. Our Warranty (which is subject to the conditions below) covers rectification free of charge of any fault arising from defective materials or components, or faulty workmanship. The product will be repaired or replaced at the option of Omega, and all costs of installation, removal, cartage, freight travelling expenses and insurance are to be paid by the customer.

Our Warranty is subject to the following conditions:

1. That the purchaser contact Omega prior to any product repair.
2. That the purchaser carefully follows all instructions provided with the product and complies with all relevant electrical & plumbing regulations in their State when installing the product.
3. That the purchaser carefully follows the instructions provided in the owner's handbook relating to the proper use and care of the product and does not use the product for any purpose other than the DOMESTIC use for which it has been designed. If the appliance is used in commercial applications or for rental purposes, Our Warranty is limited to a warranty of Twelve (12) months covering all parts with Three (3) months on any labour cost of service or repair.

Service Area

The provision of service under Our Warranty is limited by the boundary / territory area of the nearest service centre. Travelling cost incurred for service outside this area is not covered by Our Warranty

and service will incur commercial cost to be paid by the customer regulated by the number of kilometres travelled beyond the service area. These costs will be disclosed to you for acceptance by you prior to your claim being processed. Microwave ovens must be returned to your nearest Authorised Service Centre for repair as they are a carry in serviceable appliance.

What is Covered by our Warranty

During the warranty period, Omega or its authorised Service Centre will, at no extra charge, if your appliance is readily accessible without the need of special equipment and subject to the terms and conditions of this warranty, repair or replace any parts which it considers defective.

What is not Covered by our Warranty

1. Products installed damaged or incomplete or not in compliance with the relevant electrical & plumbing regulations in their State.
2. Normal wear and tear eg. cleaning, light globes, filters etc.
3. Failure resulting from power surges and electrical storms.
4. Insect or vermin infestation.
5. Unauthorised repairs or use of non-genuine Omega parts.
6. Any failure caused by the product not being used in accordance with the instruction and the installation manual provided with the product.
7. Misuse or abuse, including failure to properly maintain or service.
8. The clearing of blockages in pumps and hoses.
9. Damage which occurs during delivery or installation.
10. Claims to product surface coating due to liquid or solid spillovers, accidental damage or damage caused from cleaning products not recommended by Omega.

How to Claim Our Warranty

To make a claim under Warranty you will need to contact Omega in New Zealand by using the contact details below.

If you are contacting Omega regarding any warranty claims and spare parts inquiries, please ensure you have the following information on hand:

1. Product Name/Model Number
2. Serial Number/s
3. Purchase Date (as per invoice or proof of purchase)
4. Purchased From
5. Warranty Registration Number (if registered)

Contact Us New Zealand

Omega is a division of Monaco Corporation (member of Shriro)

Phone: 09 415 6000

Email: customercare@monacocorp.co.nz



omega

omegaappliances.co.nz