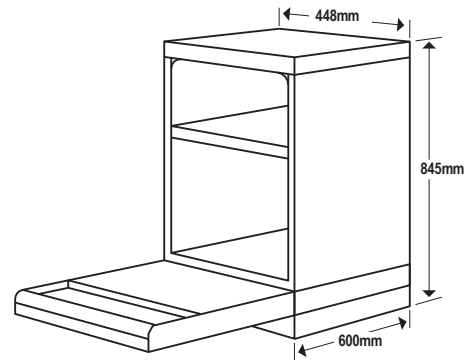


Dimensions/Weight

Product Dimensions:	845(h) x 448(w) x 600(d)mm
Package Dimensions:	890(h) x 495(w) x 672(d)mm
Gross/Net Weight:	39/35Kg



Technical Details

Style

Dishwasher Type:	Freestanding
Category Size:	45cm

Functionality

Place Settings:	10
Wash Programs (6):	Glass Heavy Intensive ECO 90 mins Rapid
Water Rating:	3.5 Stars
Energy Rating:	3.5 Stars
Wash Temperatures (°C):	4-40, 55, 60 and 70°C
Maximum Water Temperature:	75°C
Child/Safety Lock:	Yes
Delayed Start:	Yes, up to 24 hours
Half Load:	Yes
Aquastop Safety Hose:	Yes
Upper Basket Type:	Lift-up height adjustable
3 rd Layer Cutlery Tray:	Yes
Color of Baskets	Cream
Plate Sizes Allowed:	Up to 30cm
Extra Dry:	Yes
Removable Top	Yes

Installation

Maximum Current:	10amps
Power Connection:	220-240V, 50Hz
Water Connection:	Cold Water Recommended
Length of Inlet Hose:	1.8m
Water Pressure:	40-1000kpa
Noise Level:	49dB
Warranty:	48 Months Parts & Labour

Customer Care

T: 09 415 6000 (New Zealand)
E: customercare@monacocorp.co.nz

Aesthetics

Finish:	Stainless Steel
Controls:	Electronic Controls with LED Display

Key Features



Lift-up Height Adjustable Upper Basket

Every load is different. That's why we've designed a height adjustable upper basket which allows you to adapt the interior and fit dishes of all shapes and sizes. Simply pull out the upper basket, lift it up and reattach it to either the upper or lower rollers for desired height. Upper basket on lower rollers accommodate things like tall glasses. Or, on upper rollers to allow maximum space for frying pans or serving plates on lower basket.



Child Lock

Allows you to lock the control panel to ensure little hands don't cause big accidents.



75°C Water Temperature

Maximum water temperature of 75°C provides a better washing result. It allows you to sterilize dishes and utensils at 75°C for an optimized sanitization. It is great for children or people with high level hygiene needs.

NB: Drawings are not to scale - they are to assist only.

WARNING: technical specifications and product sizes can be varied by the manufacturer without notice. Cutouts for appliances should only be by physical product measurements. The above information is indicative only.