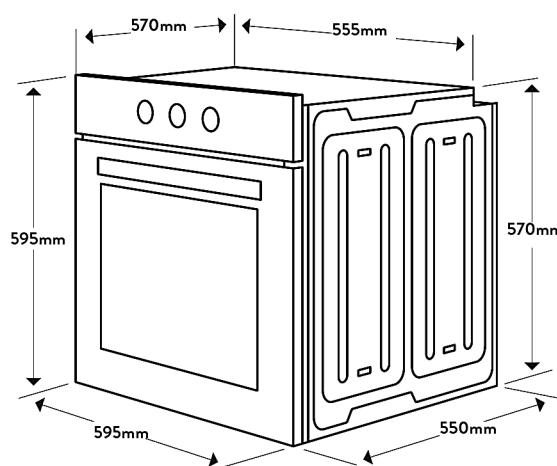




Dimensions/Weight

Product Dimensions:	595(h) x 595(w) x 570(d)mm
Package Dimensions:	635(h) x 655(w) x 655(d)mm
Flush Mount Cut-out:	598(h) x 598(w)mm
Proud Mount Cut-out:	580(h) x 580(w)mm
Gross/Net Weight:	42/39Kg



Technical Details

Style

Oven Type:	Standard
Category Size:	60cm
Capacity:	70 Litres

Functionality

Oven Functions:	Fan Forced Defrost Grill Grill with Fan Assist
-----------------	---

Max Cooking Temperature:	250°C
Clock:	Not available
Timer:	Mechanical
Number of Shelf Positions:	5 (Moulded)
Interior light:	Yes

Features & Accessories

Accessories:	1 x Chrome Wire Shelf 1 x Baking Tray 1 x Grill Insert
--------------	--

Easy View Door:	Yes
-----------------	-----

Installation

Maximum Current:	10amps
Connection:	240V, 50Hz
Installation Type:	Built-In, Plug & Play

Made In:	Europe
Warranty:	48 Months Parts & Labour

Customer Care

09 415 6000 (New Zealand) customer care@monacocorp.co.nz

Updated on 02/05/2023

Aesthetics

Finish:	Black Glass with Stainless Steel Trim
Controls:	Knob Control
Door:	Top Opening, Triple Glazed

Key Features

Made in Europe
EUR Built to the highest quality and standards, this European made oven is sure to meet your cooking needs.

Plug & Play
Designed with a 10amp plug, so you can connect it to a standard powerpoint.

Easy View Door
With the extra large and clear window, monitoring your cooking has never been easier delivering the best results every time.

NB: Drawings are not to scale - they are to assist only.
WARNING: technical specifications and product sizes can be varied by the manufacturer without notice. Cutouts for appliances should only be by physical product measurements. The above information is indicative only.