

The Omega logo is displayed in a bold, lowercase, sans-serif font. The letter 'o' is unique, featuring a horizontal line that extends to the left and then curves downwards to form the bottom of the letter. The background of the page features a large, light gray circular graphic on the right side, partially overlapping the text area.

Instruction Manual

Fridge Freezer
Bottom Mount 323L

OBMF357W (White)
OBMF357B (Black)
OBMF357X (Stainless Steel)

Thank you for purchasing an Omega appliance

Tailored for the modern aesthetic and lifestyle of busy people, your new Omega Appliance will make a welcome addition to the family.

Omega caters to style-savvy customers who look for balance between stunning form and clever function. This means a combination of sleek, chic, sophisticated design yet effortless functionality. And we source from the best. The best craftsmanship. The best innovation. From the best international design-houses.

All brought together under an appliance that stands for design-led balance.

Please take the time to read through the following instruction manual to familiarise yourself with the installation, operation requirements and maintenance to ensure optimum performance.

Further Information

For important information about your Omega Appliance such as warranty registration, manuals, features, and specifications please visit omegaappliances.co.nz (if you are in New Zealand) or contact our Customer Care team on the below email or phone numbers.

Contact Us

Our customer service team is here to help you with any questions or concerns. They are on call Monday to Friday from 8.30am to 5.00pm and of course you can always send an email at your convenience.

Email: customercare@monacocorp.co.nz

Phone: 09 415 6000

READ THE INSTRUCTION BOOKLET BEFORE INSTALLING AND USING THE APPLIANCE.

It is important that you retain these instructions, proof of purchase as well as other important documents about this product for future reference.

The manufacturer will not be responsible for any damage to property or to persons caused by incorrect installation or improper use of the appliance.

Due to continual product development, Omega reserves the right to alter specifications and appearances without notice.

Contents

Important Safety Warnings 4

Warnings for Disposal 5

Product Overview 6

Installation Instruction..... 7

Operation Instruction 10

Troubleshooting..... 18

New Zealand Product Warranty Statements of Standard Warranty Conditions 19

Disposal Information

- Most of the packaging materials are recyclable. Please dispose of these materials through your local recycling depot or by placing them into appropriate collection containers.
- If you wish to discard this product, please contact your local authorities and ask for the correct method of disposal.

Important Safety Warnings

Read the safety precautions and assembly instruction section of this booklet carefully before removing the contents of this carton.

1. This appliance is not to be used by persons (including children) with reduced physical, sensory or mental capabilities, or lack of experience or knowledge, unless they have been given supervision or instruction concerning the use of the appliance by a person responsible for their safety. Children should be supervised to ensure that they do not play with the appliance.
2. The appliance must be disconnected from the source of electrical supply before attempting the installation of accessory.
3. **WARNING:** Keep ventilation openings, in the appliance enclosure or in the built-in structure, clear of obstruction.
4. **WARNING:** Do not use mechanical devices or other means to accelerate the defrosting process, other than those recommended by the manufacturer.
5. **WARNING:** Do not damage the refrigerant circuit.
6. **WARNING:** Do not use electrical appliances inside the food storage compartments of the appliance.
7. When disposing of this appliance, please do so according to local regulations as it contains flammable gas and refrigerant.
8. Do not store explosive substances such as aerosol cans with flammable propellant in this appliance. Do not modify this appliance.
9. This appliance is intended to be used in household and similar applications such as:
 - Staff kitchen areas in shops, offices and other working environment.
 - Farm house.
 - By clients in hotels, motels and other residential type environments.
 - Bed and breakfast type environments.
 - Areas for communal use in blocks of flats or in launderettes.
10. **WARNING:** When positioning the appliance, ensure the supply cord is not trapped or damaged.
11. **WARNING:** Power plug must be accessible after installation.
12. **WARNING:** Do not locate multiple portable socket-outlets or portable power supplies at the rear of the appliance.
13. If the supply cord is damaged, it must be replaced by the manufacturer, its Authorised Service Centre or a similarly qualified person in order to avoid a hazard.
14. Follow the installation requirements in this manual. Avoid prolonged exposure to direct sunlight.
15. Do not locate multiple portable socket-outlets or portable power supplies at the rear of the appliance.
16. Do not place hot items on plastic areas of appliance. Do not refreeze food once defrosted. Store pre-packed frozen food in accordance to the manufacturer's instructions. Take care when freezing liquids as sealed containers can explode under pressure.
17. The refrigerant R600a contained within the refrigerant circuit of the appliance is a natural gas with a high level of environmental compatibility, which is nevertheless flammable.
18. During transportation, installation and servicing of the appliance ensure that none of the components of the refrigerant circuit are damaged.
19. Avoid open flames and sources of ignition.



WARNING: Risk of fire / flammable materials

Warnings for Disposal

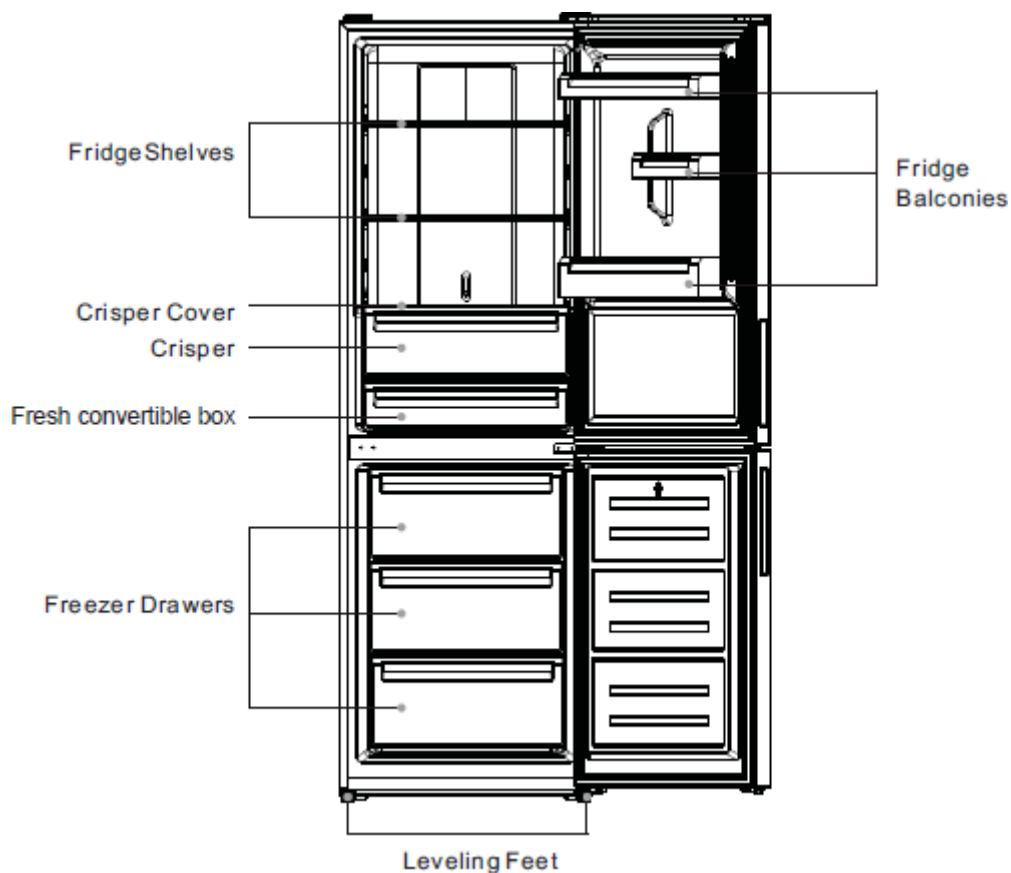
- Refrigerant and cyclopentane foaming material used for the refrigerator are flammable. Therefore when the refrigerator is scraped, it shall be kept away from any fire source and be recovered by a special recovering company with corresponding qualification other than be disposed by combustion, so as to prevent damage to the environment or any other harm.
- When the refrigerator is scraped, disassemble the doors, and remove gasket of door and shelves, put the doors and shelves in a proper place, so as to prevent trapping hazard.

Correct Disposal of this product



This marking indicates that this product should not be disposed with other household wastes. To prevent possible harm to the environment or human health from uncontrolled waste disposal, recycle it responsibly to promote the sustainable reuse of material resources. To return your used device, please use the return and collection systems or contact the retailer where the product was purchased. They can take this product for environmental safe recycling.

Product Overview



Electrical and product Details

Rated Voltage/Frequency	220~240V/50Hz
Rated Defrost Power	160 W
Rated Current	1.3 A
Refrigerant	R600a (52g)
Insulation Blow Gas	Cyclopentane
Product Dimensions WxDxH	600x690x1850mm
Net Weight	66Kg

Installation Instruction

Unpacking the appliance

- Before use, remove all packing materials, including bottom cushions, foam pads and tapes inside of the refrigerator; tear off the protective film on the doors and the refrigerator body.
- Keep away from heat and avoid direct sunlight. Do not place the freezer in moist or watery places to prevent rust or reduction of insulating effect.
- Do not spray or wash the refrigerator; do not put the refrigerator in moist places easy to be splashed with water so as not to affect the electrical insulation properties of the refrigerator.
- The refrigerator is placed in a well-ventilated indoor place; the ground shall be flat, and sturdy.

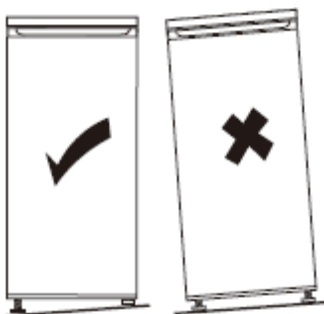
Location

When selecting a position for your unit you should make sure the floor is flat and firm, and the room is well ventilated. Avoid locating your unit near a heat source, e.g. cooker, boiler or radiator. Also avoid direct sunlight as it may increase the electrical consumption. Extreme cold ambient temperatures may also cause the unit not to perform properly. This unit is not designed for use in a garage or outdoor installation. Do not drape the unit with any covering.

When installing the unit, ensure that 50mm of free space is left at both sides, 100mm at the rear and 100mm at the top of the unit. This will allow cold air to circulate around the refrigerator and improve the efficiency of the cooling process.

Levelling the unit

Adjust the levelling of unit by rotating clockwise and counter clockwise the two levelling feet at the bottom of the unit. If the unit is not properly levelled, the door and magnetic seal alignment will not be covered properly.

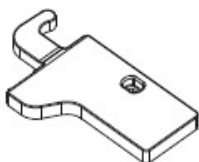


Installation Instruction

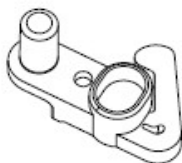
Door Reversibility

Before reversing the door, please be prepared these tools and material required: straight screw driver, cross screw driver, spanner and the components included in the poly bag.

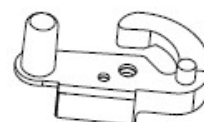
Left Door Hinge Cover x 1



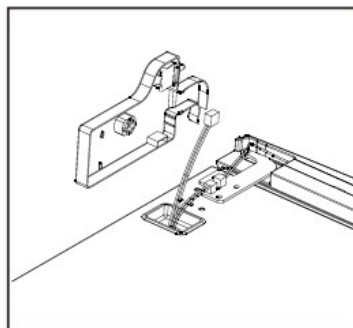
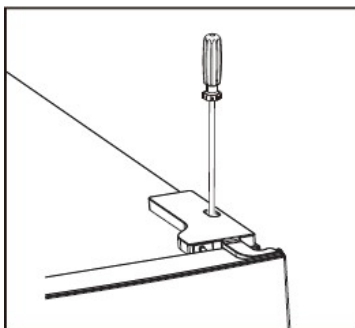
Left Aid-Closer on Upper Door x 1



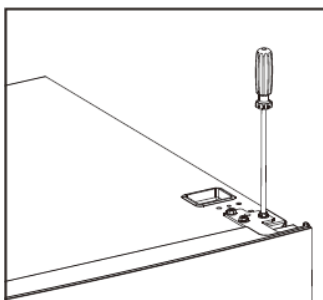
Left Aid-Closer on Lower Door x 1



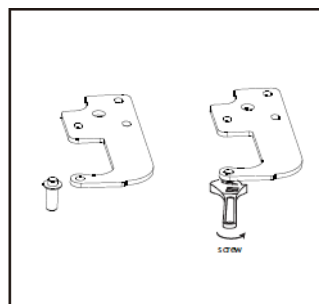
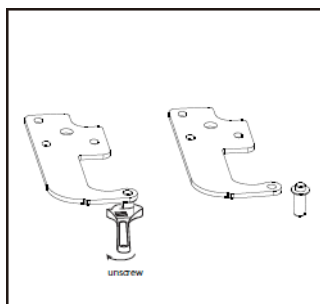
- 1- Unscrew top hinge cover and disconnect connector of door switch and harness



- 2- Screw top hinge

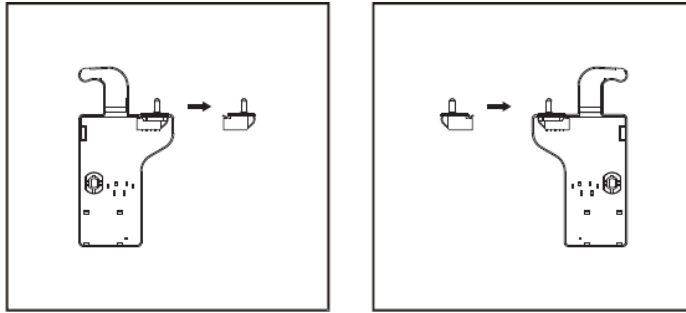


- 3- Remove the pin with a screw driver and flip the hinge bracket. Then re-fit the pin to the hinge bracket

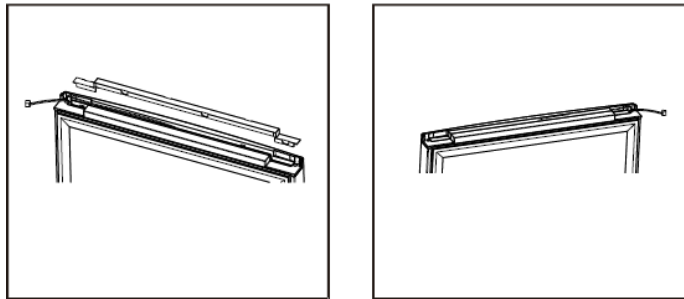


Installation Instruction

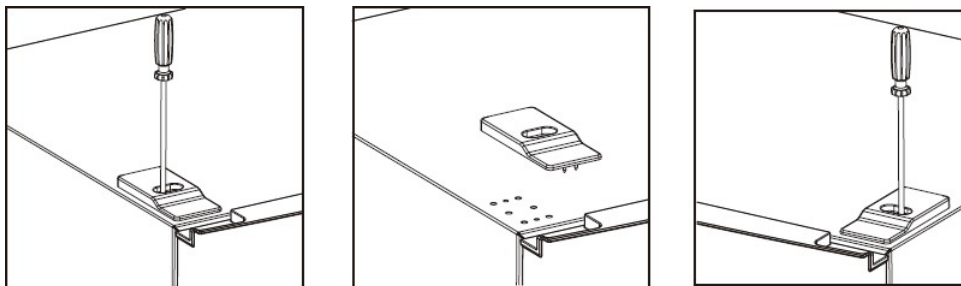
- 4- Move door switch from right hinge cover to left hinge cover in accessory bag



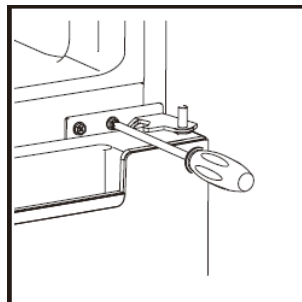
- 5- Detach cover in top of upper door and move harness from right side to left side, then replace the cover



- 6- Move top left cover to right side

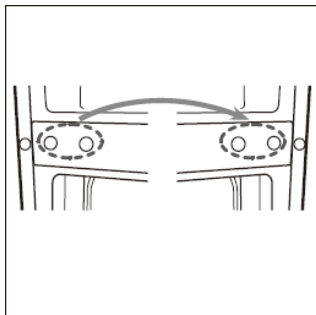


- 7- Take off the upper door, take out the screw from the middle hinge by cross screwdriver, then take off the lower door

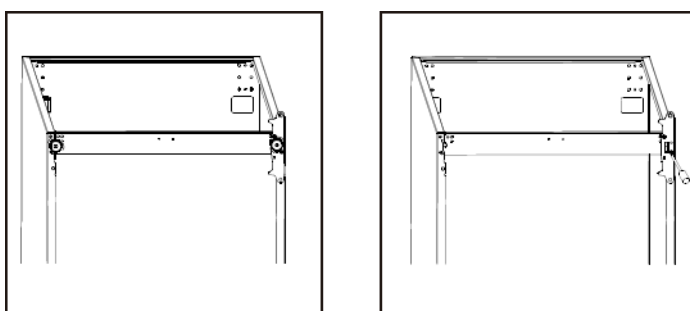


Operation Instruction

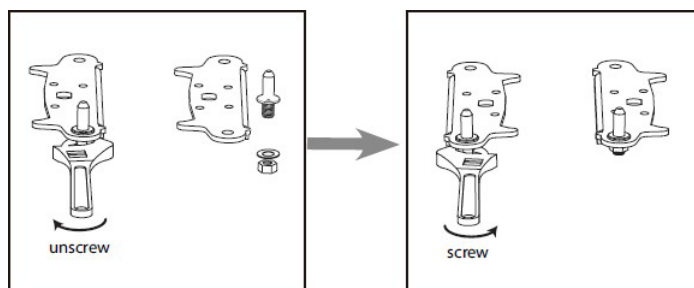
- 8- Move the hinge hole covers from left side to right side



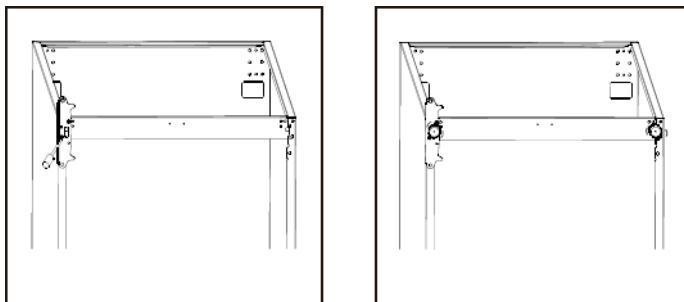
- 9- Unscrew bottom hinge, then remove the adjustable feet from both sides



- 10- Unscrew and remove the bottom hinge pin, turn the bracket over and replace it

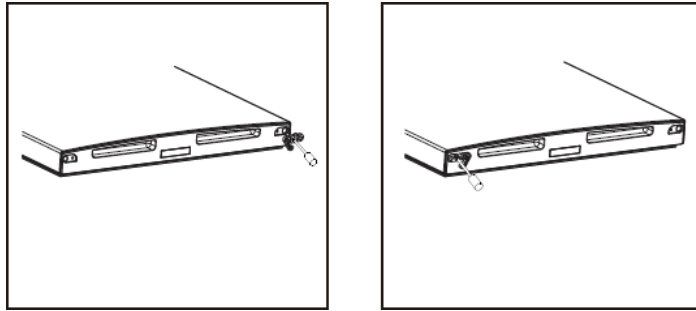


- 11- Refit the bracket fitting the bottom hinge pin. Replace both adjustable feet.

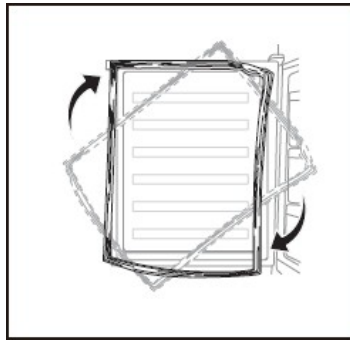


Operation Instruction

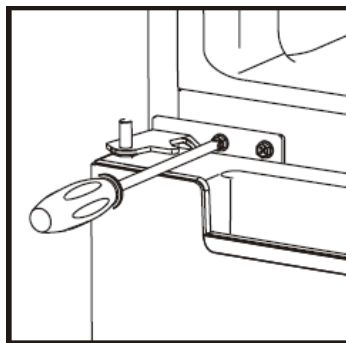
- 12- Remove aid-closers from bottom of upper and lower doors. Then take new aid-closers from accessory bag and install them to the left side



- 13- Detach the fridge and freezer door gaskets and then attach them after rotating

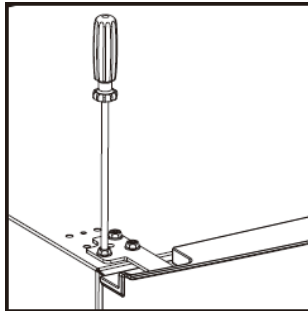


- 14- Install the lower door, adjust and fix the middle hinge onto the cabinet

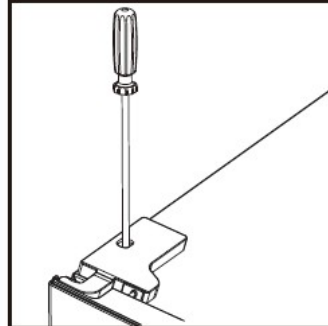
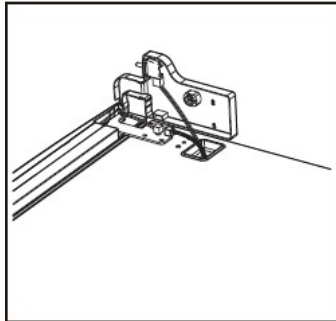


Operation Instruction

15- Replace upper door, please ensure that the door align with the cabinet to make sure door gasket seal the cabinet tightly. Then connect the door with cabinet by tightly fixed top hinge



16- Connect harness from door and cabinet. Then replace top hinge cover. Before screwing the cover, connect terminals of the door switch



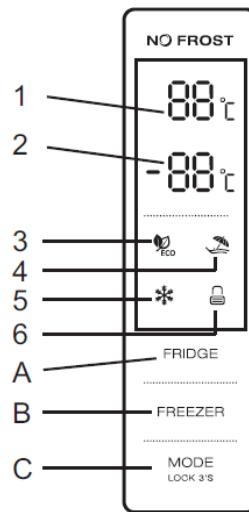
Positioning

Install this appliance at a location where the ambient temperature corresponds to the climate class indicated on the rating plate of the appliance:

Climate class	Ambient temperature
SN	+10°C to +32°C
N	+16°C to +32°C
ST	+16°C to +38°C
T	+16°C to +43°C

Operation Instruction

Control Panel



Key Operations

- A. Temperature control of fridge compartment
- B. Temperature control of freezer compartment
- C. Mode/Locking/Unlocking

LED Display

- 1. Temperature of fridge compartment
- 2. Temperature of freezer compartment
- 3. ECO mode
- 4. Holiday mode
- 5. Super mode
- 6. Locking/Unlocking

Operating Condition

- The control panel is 100% lit up for 3 seconds, which operates exactly as per the setting (mode and temperature) before the power off. The system will be automatically locked 25 seconds after the last key operation. After locking, the light of the panel would be off 120 seconds after the last key operation
- Both pre-set temperatures of fridge compartment and freezer compartment would be shown on the display

Display

- The panel will be lit up for 2 minutes once the door of fridge compartment or freezer compartment is opened. (one door signal is sensed at a time)
- The panel will be lit up by any key operation whereas the light would be off 2 minute after the last operation
- Display during normal operation
 - Temperature Display of the Fridge Compartment: Indicating the temperature of the current setting
 - Temperature Display of the Freezer Compartment: Indicating the temperature of current setting

Operation Instruction

Temperature control of the fridge compartment

This key is workable both in User Defined Mode as well as Super Mode. After entering the temperature control of the fridge compartment, this key flashes. By touching the key consecutively, the temperature would change in a circle of “2°C, 3°C, 4°C, 6°C, 8°C”, after which 5-second flashing means the selection of temperature is settled.

Shut-off the fridge compartment

Press the key of “Temperature Control of Fridge Compartment”, choose “OFF”, a 5-second flashing means the selection of temperature is made, namely the fridge compartment would stop refrigeration.

Temperature control of the freezer compartment

This key is workable both in User Defined Mode as well as Holiday Mode. After entering the temperature control of the freezer compartment, the key flashes. By touching the key consecutively, the temperature would change in a circle from -14°C to -22°C, after which a 5-second flashing means the selection of temperature is settled.

Mode / Locking / Unlocking

- By touching this key consecutively, the operation mode of the refrigerator will change in a circle of “ECO Mode-Holiday Mode-Super Mode-User Defined Mode”. A 5-second flashing means the selection of temperature is settled.
- Unlocking: Press for 3 seconds in the mode of locking, all the keys would be unlocked after the beep.
- Locking: Press for 3 seconds in the mode of unlocking, all the keys would be locked after the beep.

Note: There will be a short beep after pressing button. All buttons will only valid under unlock mode.
No operation for 25 sec will lock the display automatically.

ECO Mode

Press mode to choose ECO mode, ECO icon keeps bright after 5 sec flashing. 5°in fridge compartment and -18°in freezer compartment under eco mode. “Freeze and Fridge” buttons in vain while eco icon will flash three times with alarm.

To exit eco mode, Press mode again to exit eco mode after 5 sec, entering the selected mode.

Holiday Mode

Press mode to choose Holiday Mode, the icon keeps bright after 5 sec flashing, entering holiday mode. Temperature for this mode is 17°in fridge compartment, “fridge” button in vain, while holiday icon will flash three times with alarm.

To exit holiday mode: choose mode, exit holiday mode after 5 sec, entering the selected mode.

Super Freezing Mode

Choose mode, Super freezing mode icon will be lit up. After 5 sec flashing, entering super freezing mode. The temperature is nonadjustable in freezing compartment, “freezer” button in vain, while freezing icon will flash three times with alarm.

To exit freezing mode: meeting below condition.

- manually exit freezing mode
- freezing period more than 50 hours









Mode remains the same before entering super freezing mode.

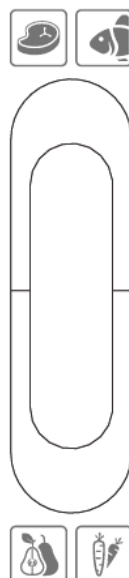
Door open alarm

If fridge (upper door) keep open for 60 seconds, the alarm will arise until the door is closed.

Operation Instruction

Fresh Zone Temperature Control

- Temperature can be adjusted according to the type of food storage.
- Push the knob upward from the bottom, temperature in the fresh zone will gradually decreased.
- When knob is set at the   position, the fresh zone will function as   zone and will maintain the appropriate temperature and humidity for fruits and vegetables.
- Then knob is set at the   position, it is suitable for short term storage of food such as fresh food or fish. The food will keep fresh but not frozen which makes it best choice for storing fresh food.
- When using   function, it is recommended to set the refrigerator temperature below 4°C and preserved lead time no more than 3 days in order to keep the best freshness.



Operation Instruction

First Use

Cleaning the Interior

Before using the appliance for first time, wash the interior and all internal accessories with lukewarm water and some neutral soap so as to remove the typical smell of a brand new product, then dry accordingly.

IMPORTANT: Do not use detergent or abrasive powders as these will damage the finish.

Daily Use

Freezing fresh food

- The freezer compartment is suitable for freezing fresh food and storing frozen and deep frozen food for a long time
- Place the fresh food to be frozen in the bottom compartment
- The maximum amount of food that can be frozen in 24 hours is specified on the rating plate
- The freezing process lasts 24 hours. During this period, do not add other food to be frozen

Storing frozen food

When first starting up or after a period out of use, before putting the food in the compartment let the appliance run at least 2 hours on the higher settings.

IMPORTANT: In the event of accidental defrosting, for example the power has been off for longer than the value shown in the technical characteristics chart under “rising time”, the defrosted food must be consumed quickly or cooked immediately and then re-frozen (after cooked).

Thawing

Deep frozen or frozen food prior to be used can be thawed in the fridge compartment or at room temperature depending on the time available for this operation. Small pieces may even be cooked frozen directly from the freezer. In this case, cooking will take longer.

Care and Maintenance

- **Changing the Internal Light**

Any replacement or maintenance of the LED lamps is intended to be made by the manufacturer, its service agent or similar qualified person.

- **Care When Handling / Moving Your Unit**

Hold the unit around its sides or base when moving it. Under no circumstances should it be lifted by holding the edges of the top surface.

- **Servicing**

The unit should be serviced by an authorized engineer and only genuine spare parts should be used. Under no circumstances should you attempt to repair the unit yourself. Repairs carried out by inexperienced persons may cause injury or serious malfunction. Contact a qualified technician.

- **Switching Off for Long Periods of Time**

When the unit is not in use for a long period of time, disconnect it from the mains supply, empty all food and clean the appliance, leaving the door ajar to prevent unpleasant smells.

- **Do not shield positions of air outlet and return air inlet of the refrigerator**

- **Do not keep foods of higher temperature close to temperature sensor**

- **Take out drawer of freezing chamber of refrigerator and put foods directly on the glass partition**

Troubleshooting

You may try to solve the following simple problems by yourself. If they cannot be solved, please contact customer service.

Inoperation	<ol style="list-style-type: none">1- Whether the freezer is plugged and connected to power2- Low voltage3- Failure power or tripping circuit
Odor	<ol style="list-style-type: none">1- Odorous foods should closely wrapped2- Whether foods are rotten3- Whether the interior shall be cleaned
Appliance freezes or cools too much	<ol style="list-style-type: none">1- Temperature is set to too cold or the appliance runs at Super modes
Long-term operation of compressor	<ol style="list-style-type: none">1- It is normal that refrigerator operates for longer time in summer when the ambient temperature is higher2- Do not put too much food in the freezer at one time3- Do not put foods until they are cooled4- Frequent opening of refrigerator door
Illuminating light does not shine	<ol style="list-style-type: none">1- Whether the refrigerator is connected to power2- Whether the illuminating light is damaged
The refrigerator door can not be properly closed.	<ol style="list-style-type: none">1- The freezer door is stuck by food packages2- Too much food3- Tilt refrigerator
Loud noises	<ol style="list-style-type: none">1- Whether the food is leveled, whether the refrigerator is balanced2- Whether the refrigerator parts are properly placed

New Zealand Product Warranty Statements of Standard Warranty Conditions

Nothing herein contained shall be construed in any way as excluding or limiting your rights under the Consumer Guarantee Act 1993. OUR WARRANTY

This product is also covered by the manufacturer's warranty set out in this document (Our Warranty).

Our Warranty is for a period of forty eight (48) months from the date of purchase.

This is in addition to (and does not exclude, restrict or modify) any rights or remedies to which you may already be entitled to under the New Zealand Consumer Guarantee act 1993 relating to this product.

Our warranty (which is subject to the conditions below) covers rectification free of charge of any fault arising from defective materials or components or faulty workmanship.

The product will be repaired or replaced at the option of Omega.

Our warranty is subject to the following conditions:

1. That the purchaser contacts Omega prior to any product repair.
2. That the purchaser carefully follows all instructions provided with the product and complies with all relevant electrical & plumbing regulations when installing the product.
3. That the purchaser carefully follows the instructions provided in the owner's handbook relating to the proper use and care of the product and does not use the product for any purpose other than the DOMESTIC use for which it has been designed.

WHAT IS COVERED: By Our Warranty

During the warranty period, Omega or its authorised Service Centre will, at no extra charge, if your appliance is readily accessible without the need of special equipment and subject to the terms and conditions of this warranty, repair or replace any parts which it considers defective.

WHAT IS NOT COVERED: By Our Warranty

1. Products installed damaged or incomplete or not in compliance with the relevant electrical & plumbing regulations in their State.
2. Normal wear and tear e.g. cleaning, light globes, filters etc.
3. Failure resulting from power surges and electrical storms.
4. Insect or vermin infestation.
5. Unauthorised repairs or use of non- genuine Omega parts.
6. Any failure caused by the product not being used in accordance with the instruction and the installation manual provided with the product.
7. Misuse or abuse, including failure to properly maintain or service.
8. The clearing of blockages in pumps and hoses.
9. Damage which occurs during delivery or installation.

10. Claims to product surface coating due to liquid or solid spill-overs, accidental damage or damage caused from cleaning products not recommended by Omega.

HOW TO CLAIM YOUR WARRANTY

Please refer to our website address below for Omega to register your warranty online.

If you are contacting Omega regarding any warranty claims and spare parts inquiries, please make sure you have the following information on hand:

1. Product Name/Model Number
2. Serial Number/s
3. Purchase Date (as per invoice or proof of purchase)
4. Purchased From
5. Warranty Registration Number

www.omegaappliances.co.nz

Omega is division of Monaco Corporation Limited (Member of Shriro Australia PTY LTD)

Phone: (09) 415 6000

Email: customercare@monacocorp.co.nz



omega

omegaappliances.co.nz